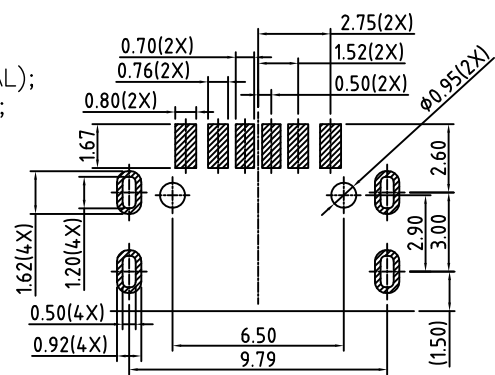


REV	EC No.	DESCRIPTION	Symbol	DATE
A	/	new release	/	Dec. 12, 2017

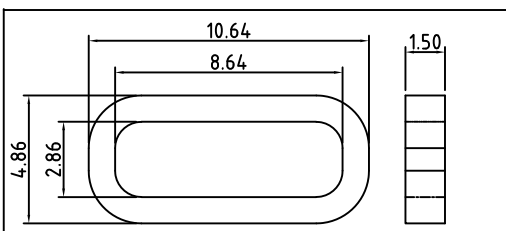
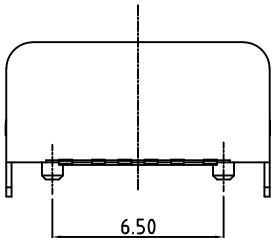
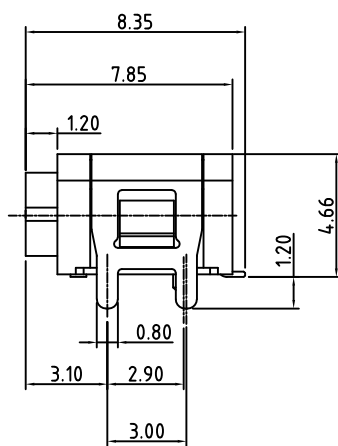
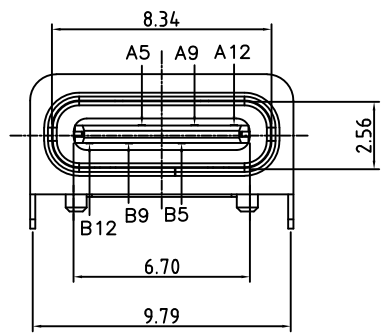
- SPECIFICATIONS:
- ELECTRICAL CHARACTERISTICS:
    - RATING: 3A
    - CONTACT RESISTANCE: 30 mΩ MAX.(INITIAL);
    - DIELECTRIC WITHSTANDING: 100V AC MIN.;
    - INSULATION RESISTANCE: 100MΩ MIN.;
  - DURABILITY: 10,000 CYCLES MIN.;
  - INSERTION FORCE: 5~20N;
  - EXTRACTION FORCE: 6~20N;
  - WATER PROOF: IPX6.
  - PACKAGING: TAPE & REEL.700PCS/REEL



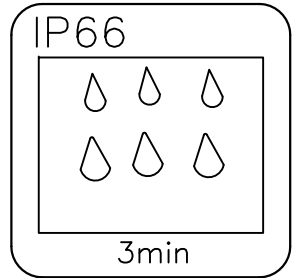
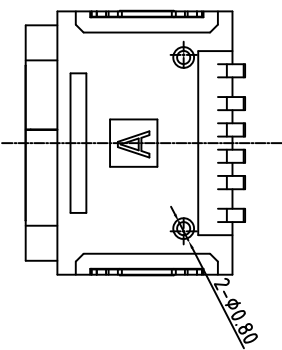
P.C.B LAYOUT  
TOL.: ±0.05

A5	CC1	B12	GND
A9	VBUS	B9	VBUS
A12	GND	B5	CC2
PIN	SIGNAL NAME	PIN	SIGNAL NAME

3	Shell	1	SUS304R-1/2H Ni Plating
2	Contact	6	Phosphor bronze C5191R-EH Au/Ni Plating T=0.20mm
1	Housing	1	PA10T (G.F30%)
ITEM	PART NAME	Q' TY	FINISH



NOTE: ORING IS MADE OF BLACK SILICON RUBBER, ITS DIAMETER IS 1.5MM; IF YOU PRESS ITS DIAMETER TO 0.7~0.8mm, CAN GET BETTER WATERPROOF FUNCTION.



COMPATIBLE WITH MOLEX:2171760001

For more information, please feel free to contact Neal. His email is :connmold@foxmail.com Tel:18922965797			
WWW.connmold.COM		<h1>ConnMold</h1>	
DIMENSION UNITS	TOLERANCE		
MM	X±0.50 .XX±0.25 .X±0.35 .XXX±0.15	PART NAME	USB TYPE C 6PIN TOP-MOUNT WATERPROOF IP66
DRWN:Robert	Dec. 12, 2017	PART NUMBER	CMWUC661002
CHK'D:Yuri	Dec. 12, 2017	REVISION	A
APPR:Lee	Dec. 12, 2017	CUSTOMER	GENERAL MARKET
THIRD ANGLE PROJECTION	CUSTOMER P/N	SHEET NUMBER	1 OF 2
	/		