

6

5

4

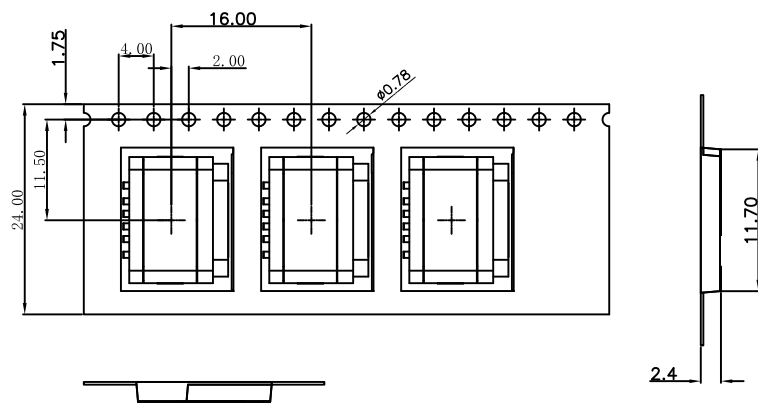
3

2

1

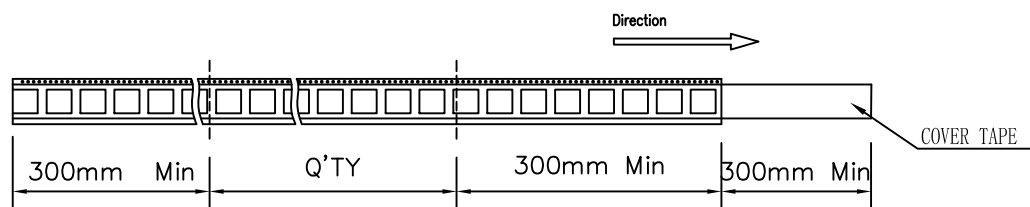
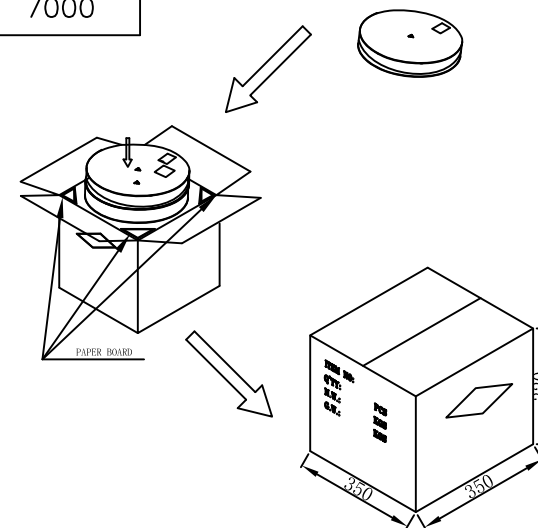


REV	EC No.	DESCRIPTION	Symbol	DATE
A	/	new release	/	Dec. 12, 2017



<TABLE 1> PACKAGING QUANTITY

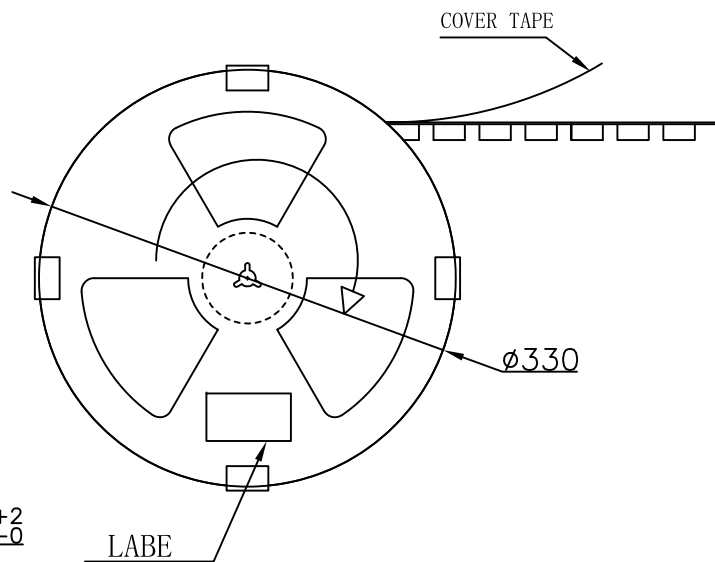
QTY/REEL	REEL/CARTON	QTY/CARTON
700	10	7000



1. TAPE REEL PACKAGE, 700PCS/REEL
2. CARTON SIZE: 350MM\*350MM\*320MM
3. 7000PCS/CARTON

28.4 REF.

COVER TAPE

24.4<sup>+2</sup>/<sub>0</sub>

LABLE

For more information, please feel free to contact Neal. His email is :connmold@foxmail.com Tel:18922965797

WWW.connmold.COM

DIMENSION UNITS

MM

TOLERANCE

X±0.50 .XX±0.25  
.X±0.35 .XXX±0.15

# ConnMold

PART NAME USB TYPE C 6PIN TOP-MOUNT  
WATERPROOF IP66

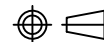
DRWN:Robert Dec.12,2017

CHK'D:Yuri Dec.12,2017

APPR:Linda Dec.12,2017

PART NUMBER CMWUC661002 REVISION A

THIRD ANGLE PROJECTION



CUSTOMER P/N

/

CUSTOMER GENERAL MARKET

SHEET NUMBER

2 OF 2

6

5

4

3

2

1