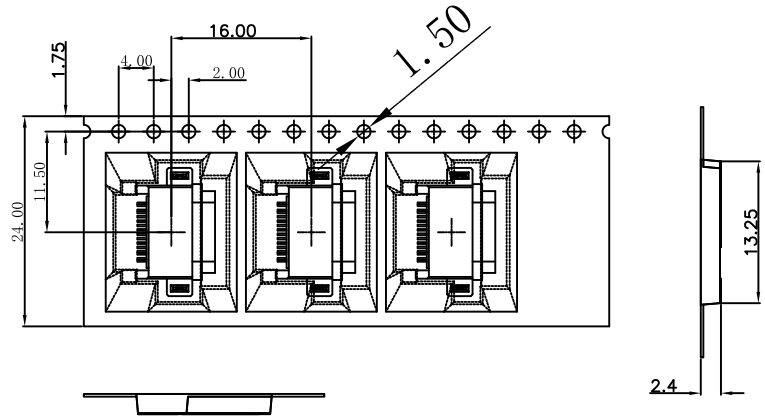


6 5 4 3 2 1

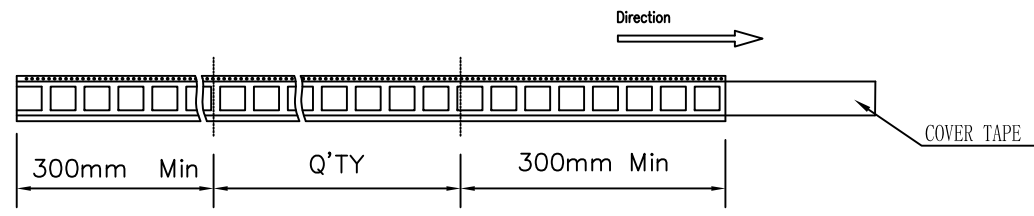
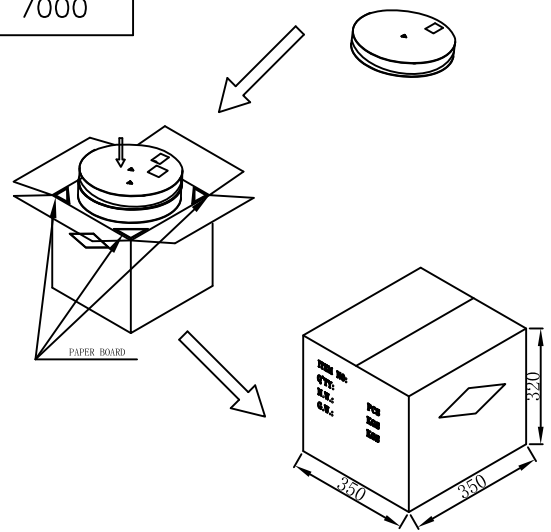


REV	EC No.	DESCRIPTION	Symbol	DATE
A	/	new release	/	Mar.12, 2018

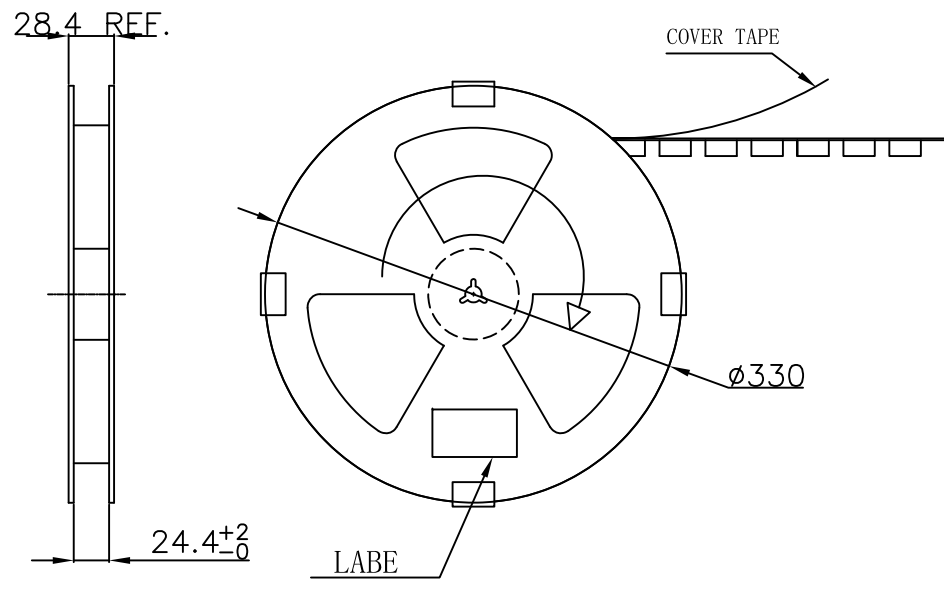


<TABLE 1> PACKAGING QUANTITY

QTY/REEL	REEL/CARTON	QTY/CARTON
700	10	7000



1. TAPE REEL PACKAGE, 700PCS/REEL
2. CARTON SIZE: 350MM\*350MM\*320MM
3. 7000PCS/CARTON



For more information, please feel free to contact Neal. His email is :connmold@foxmail.com Tel:18922965797			
WWW.connmold.COM		<h1>ConnMold</h1>	
DIMENSION UNITS	TOLERANCE		
MM	X±0.50 .XX±0.25 .X±0.35 .XXX±0.15	PART NAME	USB TYPE C 24PIN MID-MOUNT 1.65MM WATERPROOF IP67
DRWN:Robert	Mar 12,2018	PART NUMBER	CMWUC661004
CHK'D:Yuri	Mar 12,2018	REVISION	A
APPR:Linda	Mar 12,2018	CUSTOMER	GENERAL MARKET
THIRD ANGLE PROJECTION	CUSTOMER P/N	SHEET NUMBER	
	/	2 OF 2	

6 5 4 3 2 1