

6

5

4

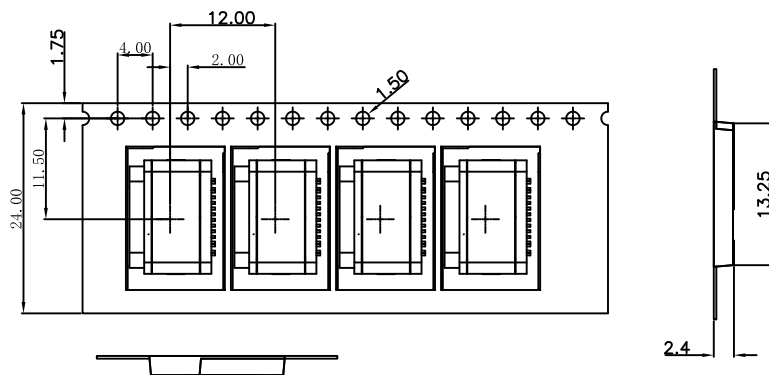
3

2

1

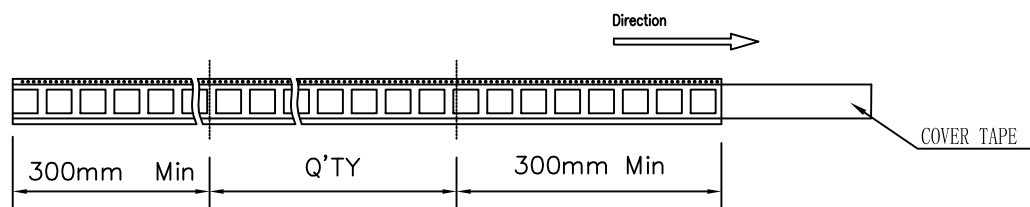
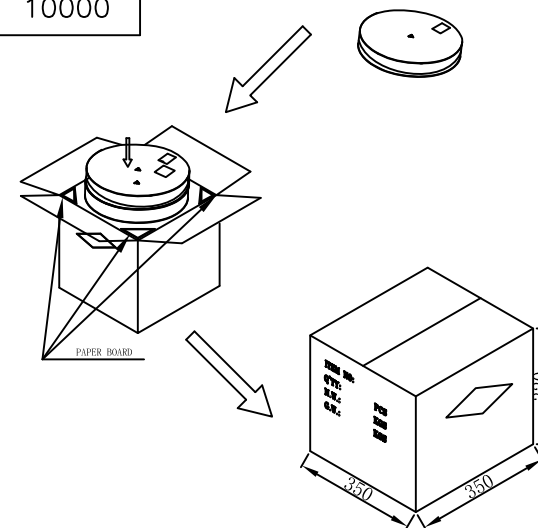


REV	EC No.	DESCRIPTION	Symbol	DATE
A	/	new release	/	Mar.12, 2018



<TABLE 1> PACKAGING QUANTITY

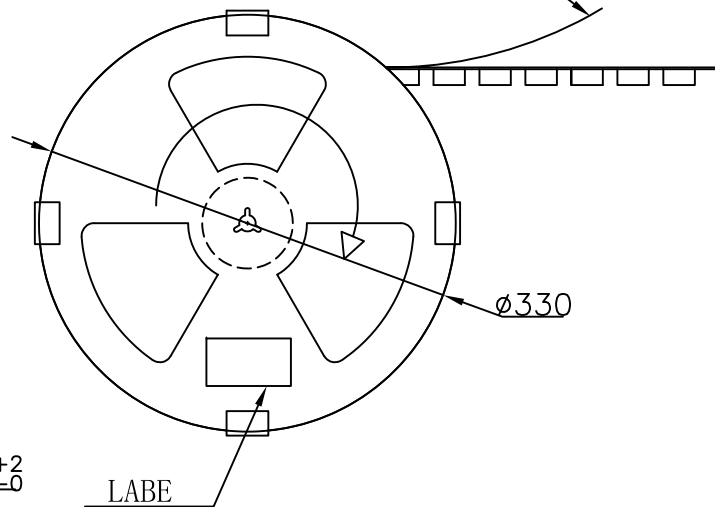
QTY/REEL	REEL/CARTON	QTY/CARTON
1000	10	10000



1. TAPE REEL PACKAGE, 1000PCS/REEL
2. CARTON SIZE: 350MM\*350MM\*320MM
3. 10000PCS/CARTON

28.4 REF.

COVER TAPE



For more information, please feel free to contact Neal. His email is :connmold@foxmail.com Tel:18922965797

WWW.connmold.COM		<b>ConnMold</b>	
DIMENSION UNITS	TOLERANCE		
MM	X±0.50 .XX±0.25 .X±0.35 .XXX±0.15	PART NAME	USB TYPE C 16PIN 4.36MM WATERPROOF IP66
DRWN:Robert	Mar 12,2018	PART NUMBER	CMWUC661006
CHK'D:Yuri	Mar 12,2018	REVISION	A
APPR:Linda	Mar 12,2018	CUSTOMER	GENERAL MARKET
THIRD ANGLE PROJECTION	CUSTOMER P/N	CUSTOMER	SHEET NUMBER
	/	GENERAL MARKET	2 OF 2

6

5

4

3

2

1