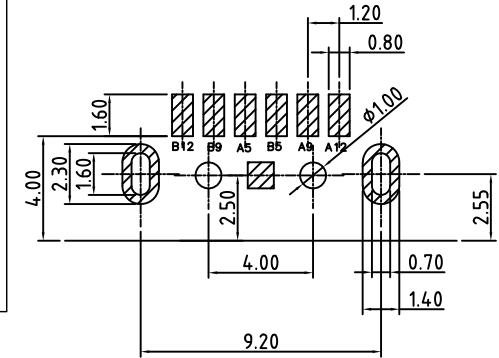
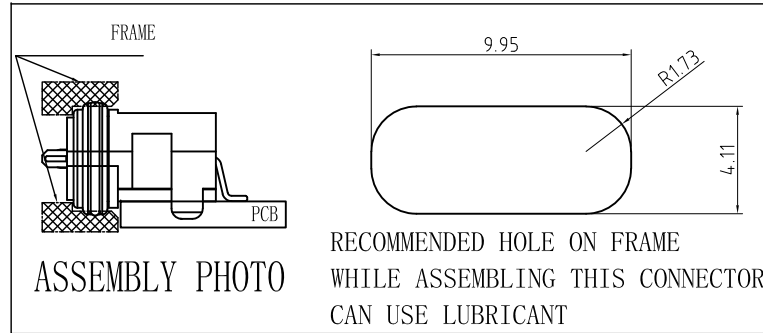
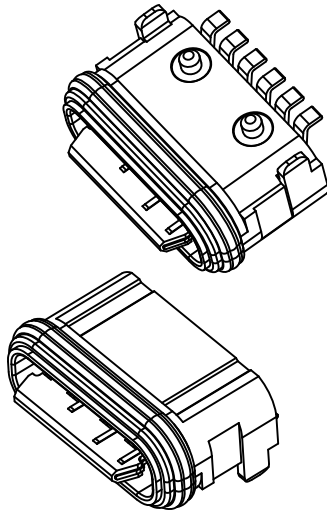
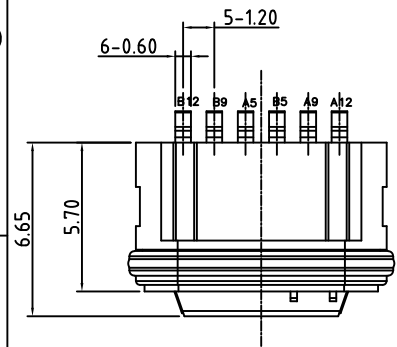
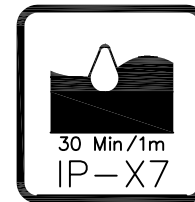
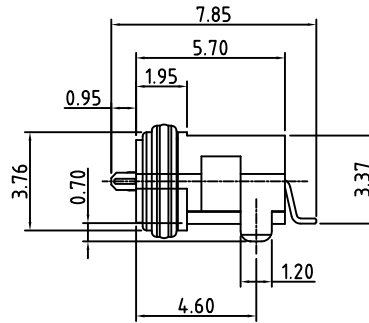
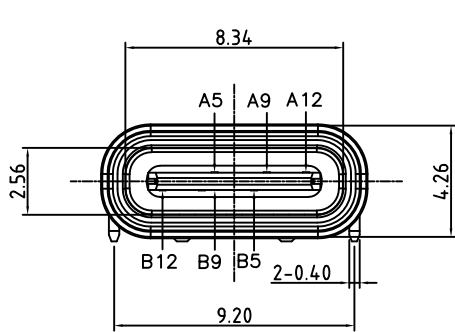


REV	EC No.	DESCRIPTION	Symbol	DATE
A	/	new release	/	Mar. 12, 2018



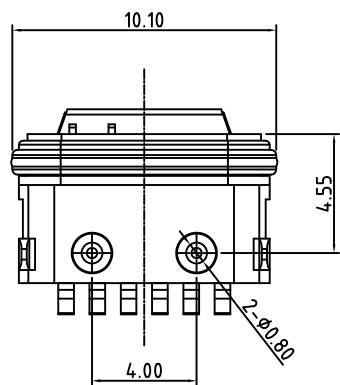
: SOLDER PAD
RECOMMENDED PCB LAYOUT(TOP VIEW)
 THICKNESS T=1.0mm
 TOLERANCE:±0.05



A5	CC1	B12	GND
A9	VBUS	B9	VBUS
A12	GND	B5	CC2
PIN	SIGNAL NAME	PIN	SIGNAL NAME

3	Shell	1	Ni Plating
2	Contact	6	Phosphor bronze Au/Ni Plating T=0.20mm
1	Housing	1	PA10T (G.F30%)
ITEM	PART NAME	Q' TY	FINISH

- MATERIAL SPECIFICATION:
 - HOUSING:HIGH TEMPERATURE RESISTANT PLASTIC,UL94 V-0.
 - CONTACTS:COPPER ALLOY
 - SHELL: STAINLESS STEEL
- MECHANICAL PERFORMANCE,
 - INSERTION FORCE: 5~20N.
 - REMOVAL FORCE: 6~20N.
 - DURABILITY: 10000 CYCLES.
- ELECTRICAL PERFORMANCE,
 - CURRENT RATING:3.0A
VOLTAGE RATING:12V
 - LLCR:
VBUS & GND PINS AND OTHER PINS: 40mΩ/PIN MAX.
SHIELD: 50mΩ/MAX.
 - INSULATION RESISTANCE: 100MΩ MIN
 - DIELECTRIC WITHSTAND VOLTAGE,AC 100V FOR 1 MINUTE.
- ENVIRONMENTAL PERFORMANCE:
 - OPERATING TEMPERATURE: -40°C~+85°C.
- PACKAGE: TAPE REEL, 1000PCS/REEL



For more information, please feel free to contact Neal. His email is :connmold@foxmail.com Tel:18922965797

DIMENSION UNITS		TOLERANCE		PART NAME	
MM		X±0.50	.XX±0.25	USB TYPE C 6PIN 3.37MM WATERPROOF IP67	
		.X±0.35	.XXX±0.15	PART NUMBER	
DRWN:Robert		Mar. 12, 2018		CMWUC661007	
CHK'D:Yuri		Mar. 12, 2018		REVISION	
APPR:Lee		Mar. 12, 2018		A	
THIRD ANGLE PROJECTION		CUSTOMER P/N		CUSTOMER	
		/		GENERAL MARKET	
				SHEET NUMBER	
				1 OF 2	