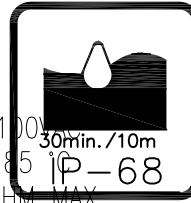


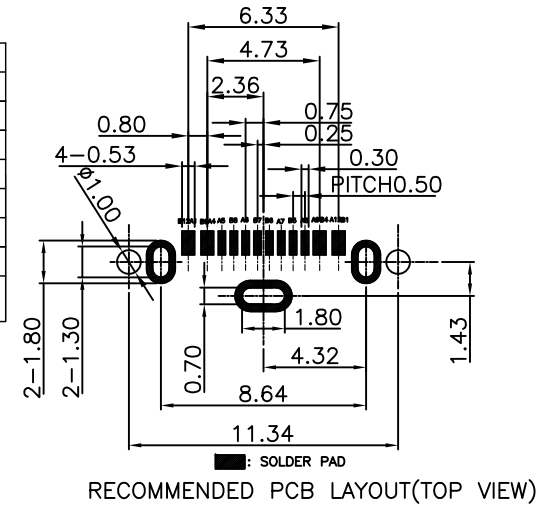
SPECIFICATION:

1. CURRENT RATING: 3.0A MAX
2. DIELECTRIC WITHSTAND VOLTAGE: 100V MAX
3. TEMPERATURE RANGE: -30 °C ~ 85 °C
4. CONTACT RESISTANCE: 40 MILLIONHM MAX
5. INSULATION RESISTANCE: 100 MEGOHMS MIN.
6. INSERTION FORCE : 5N~20N
7. UNMATING FORCE: 8N~20N
8. DURABILITY:10,000 CYCLES
9. WATER PROOFNESS:THIS PRODUCT IS BASED ON IP68.

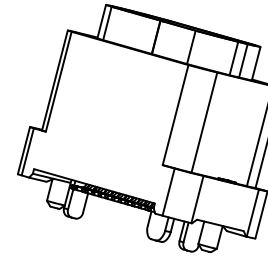
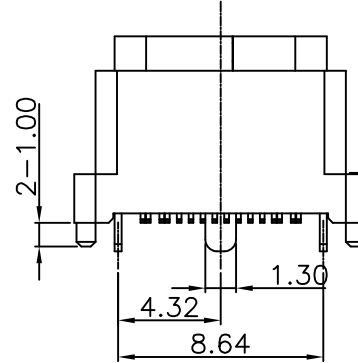
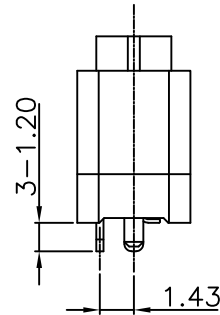
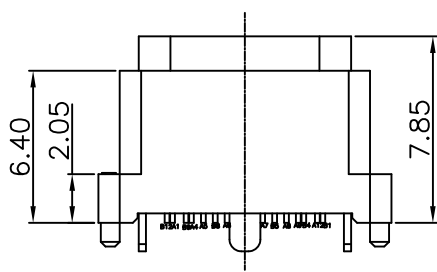


REV	EC No.	DESCRIPTION	Symbol	DATE
A	/	new release	/	Sep. 12, 2021

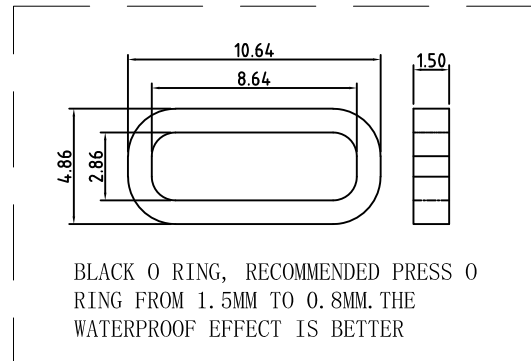
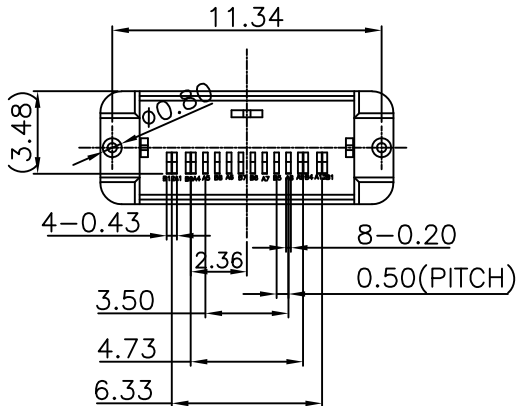
A1	GND	B12	GND
A4	VBUS	B9	VBUS
A5	CC1	B8	SBU2
A6	DP1	B7	DN2
A7	DN1	B6	DP2
A8	SBU1	B5	CC2
A9	VBUS	B4	VBUS
A12	GND	B1	GND
PIN	SIGNAL NAME	PIN	SIGNAL NAME



THICKNESS T=1.0mm
TOLERANCE:±0.05



REVERSE TYPE



NO.	DESCRIPTION	MATERIAL	REMARKS	QTY
6	O RING	SILICON	BLACK	1PCS
5	SHELL	STAINLESS STEEL	Ni Plated	1PCS
4	SHIELDING PLATE	STAINLESS STEEL	Ni Plated	1PCS
3	CONTACT	COPPER ALLOY	Au/Ni Plated	1SET
2	SHELL HOUSING	HIGH TEMPERATURE PLASTIC	BLACK	1PCS
1	HOUSING	HIGH TEMPERATURE PLASTIC	BLACK	1PCS

For more information, please feel free to contact Neal. His email is :connmold@foxmail.com Tel:18922965797

WWW.CONNMOLD.COM		<h1>ConnMold</h1>	
DIMENSION UNITS	TOLERANCE		
MM	X±0.50 .XX±0.25 .X±0.35 .XXX±0.15	PART NAME	USB TYPE C 16PIN REVERSE 7.85MM WATERPROOF IP68
DRWN:Robert	Sep. 12, 2021	PART NUMBER	CMWUC661012
CHK'D:Yuri	Sep. 12, 2021	REVISION	A
APPR:Lee	Sep. 12, 2021	CUSTOMER	GENERAL MARKET
THIRD ANGLE PROJECTION	CUSTOMER P/N	SHEET NUMBER	1 OF 2
	/		