

6

5

4

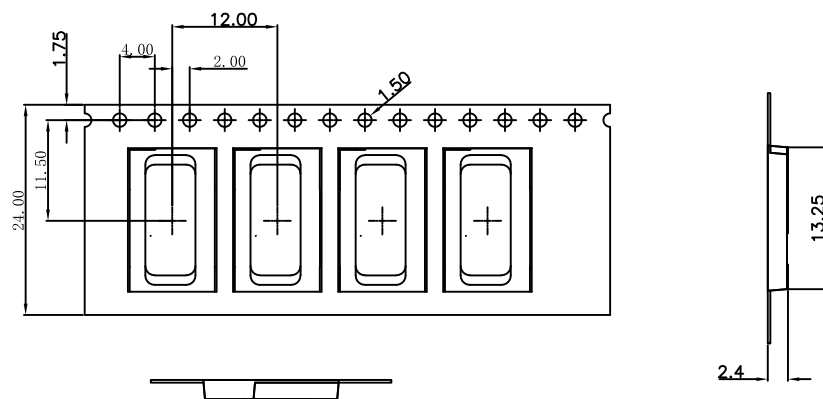
3

2

1

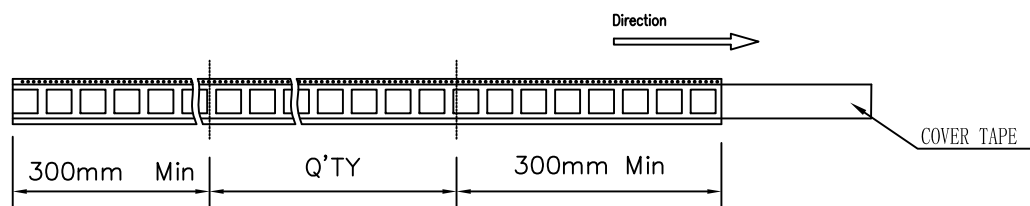
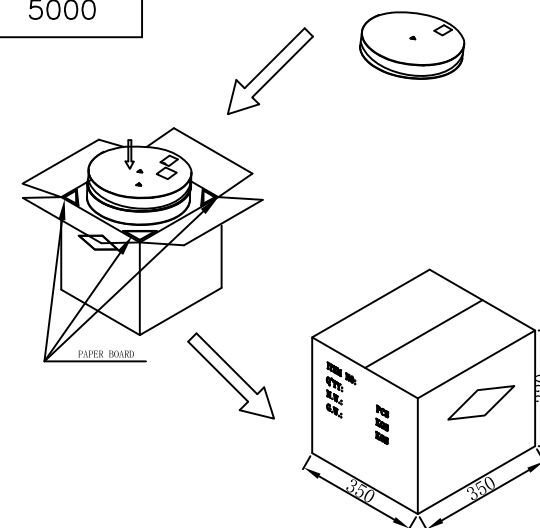


REV	EC No.	DESCRIPTION	Symbol	DATE
A	/	new release	/	Sep.12, 2021



<TABLE 1> PACKAGING QUANTITY

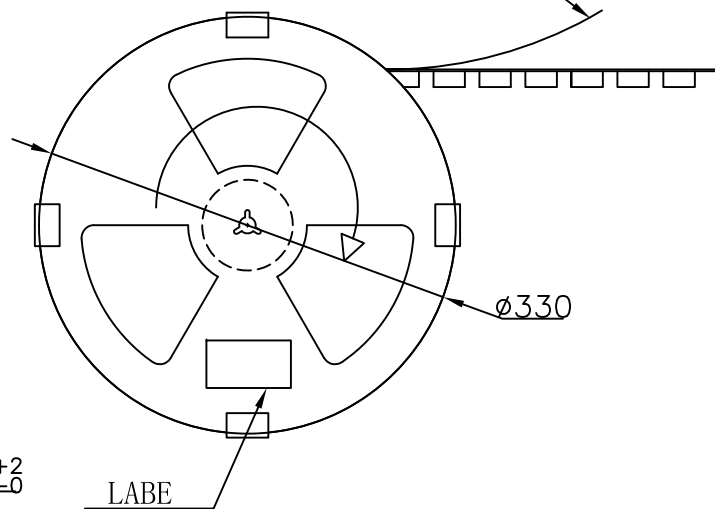
QTY/REEL	REEL/CARTON	QTY/CARTON
500	10	5000



1. TAPE REEL PACKAGE, 500PCS/REEL
2. CARTON SIZE: 350MM*350MM*320MM
3. 5000PCS/CARTON

28.4 REF.

COVER TAPE



For more information, please feel free to contact Neal. His email is :connmold@foxmail.com Tel:18922965797

WWW.connmold.COM

DIMENSION UNITS	TOLERANCE
MM	X±0.50 .XX±0.25
	.X±0.35 .XXX±0.15

ConnMold

PART NAME USB TYPE C 16PIN REVERSE
7.85MM WATERPROOF IP68

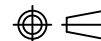
DRWN:Robert Sep. 12,2021

CHK'D:Yuri Sep. 12,2021

APPR:Linda Sep. 12,2021

PART NUMBER CMWUC661012 REVISION A

THIRD ANGLE PROJECTION



CUSTOMER P/N

/

CUSTOMER GENERAL MARKET

SHEET NUMBER

2 OF 2

6

5

4

3

2

1