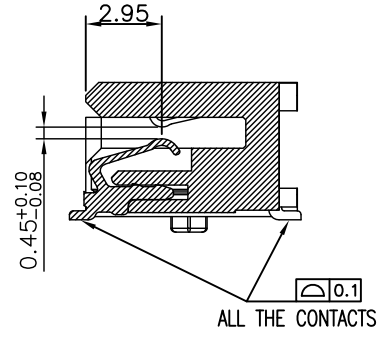
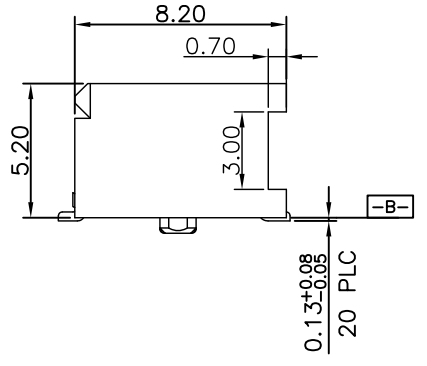
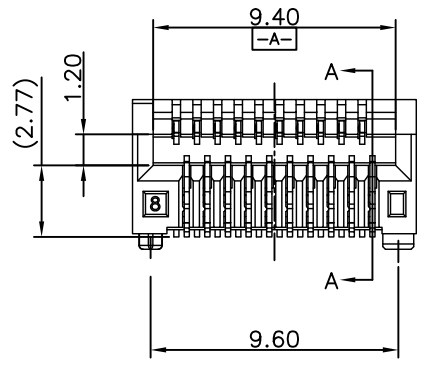
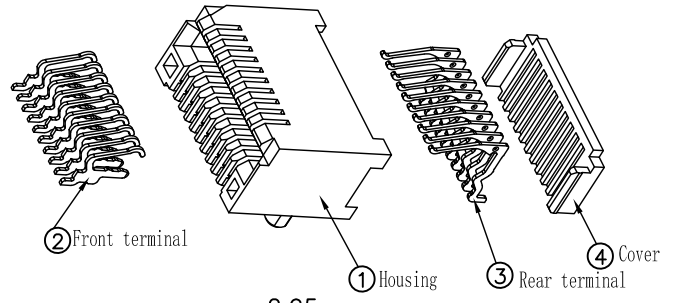
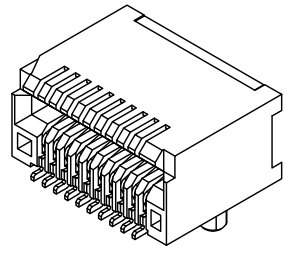
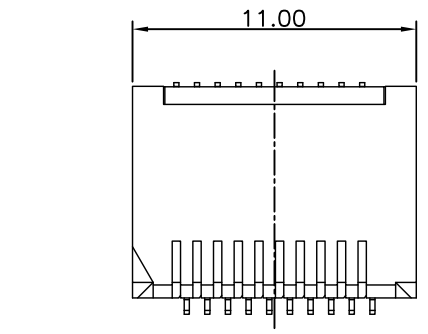
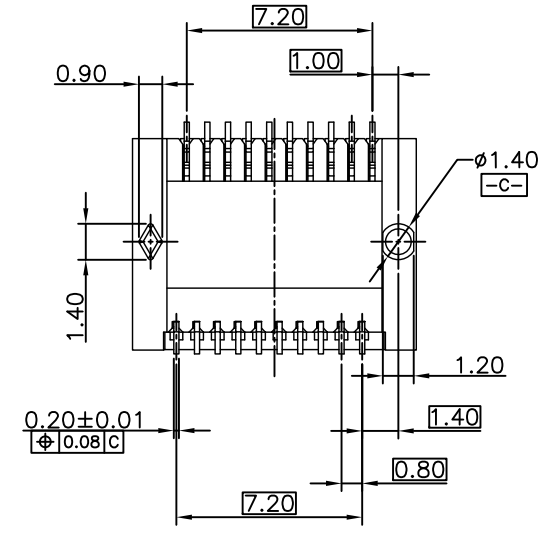


6	5	4	3	2	1
REV		EC No.	DESCRIPTION	Symbol	DATE
A		/	new release	/	Oct.12, 2021



SECTION A-A
1:1



- Note:
- MATERIAL:
HOUSING: LCP UL94 V-0
TERMINAL: COPPER ALLOY
 - FINISH
15u" Au Min ON CONTACT AREA
100U" TIN ON SOLDER AREA
 - RATED PARAMETERS OF CONNECTOR
Operating temperature: -40°C to +85°C
Humidity: 95% R.H max (40°C±2°C)
 - ELECTRICAL MECHANICAL ENVIRONMENTAL
4-1. Dielectric withstanding Voltage: 250V
4-2. Insulation Resistance: 1000MΩ Min
4-3. LLCR: 30mΩ max
 - PACKAGE: TAPE REEL, 600PCS/Reel

For more information, please help to contact: connmold@foxmail.com . Tel.: 18922965797			
WWW.CONNMOLD.COM		ConnMold	
DIMENSION UNITS	TOLERANCE		
MM	X±0.50 .XX±0.25 .X±0.35 .XXX±0.15	PART NAME SFP 1X1 20PIN SMT 0.80MM PITCH	
DRWN: Robert	Oct.12,2021	PART NUMBER	
CHK'D: Yuri	Oct.12,2021	CMSFP661001	
APPR: Linda	Oct.12,2021	REVISION	
THIRD ANGLE PROJECTION		CUSTOMER	
CUSTOMER P/N		GENERAL MARKET	
SHEET NUMBER		1 OF 2	

6

5

4

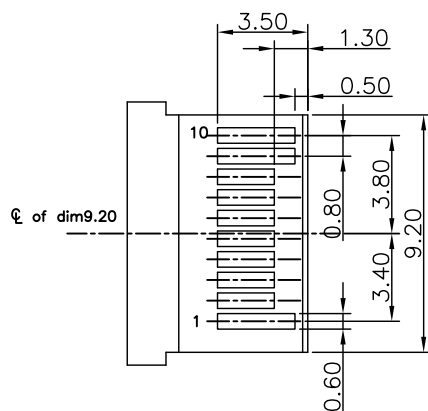
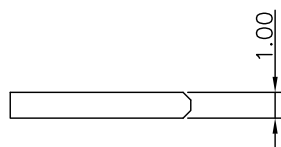
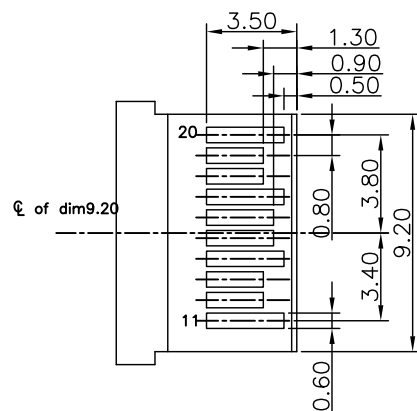
3

2

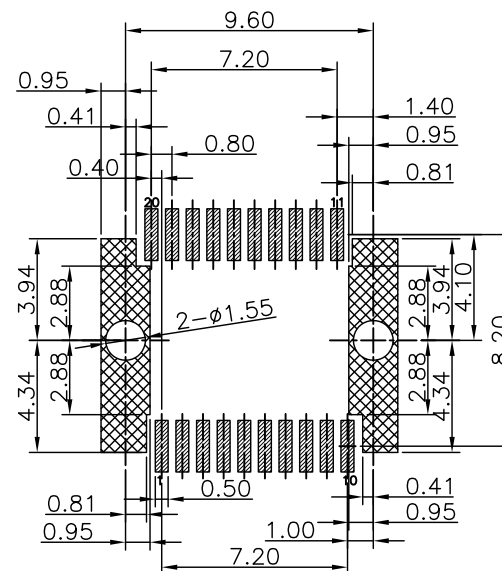
1



REV	EC No.	DESCRIPTION	Symbol	DATE
A	/	new release	/	Oct.12, 2021



RECOMMENDED LAYOUT
OF MATING PCB



▨ SMT SOLDER AREA
▩ KEEP OUT AREA

RECOMMENDED PCB LAYOUT

TOLERANCE:±0.05

For more information, please help to contact: connmold@foxmail.com. Tel.:18922965797

WWW.CONNMOLD.COM

DIMENSION UNITS TOLERANCE

MM

X±0.50 .XX±0.25
.X±0.35 .XXX±0.15

PART NAME SFP 1X1 20PIN SMT
0.80MM PITCH

DRWN:Robert

Oct.12,2021

CHK'D:Yuri

Oct.12,2021

APPR:Linda

Oct.12,2021

PART NUMBER

CMSFP661001

REVISION

A

THIRD ANGLE PROJECTION



CUSTOMER P/N

/

CUSTOMER

GENERAL MARKET

SHEET NUMBER

2 OF 2

6

5

4

3

2

1