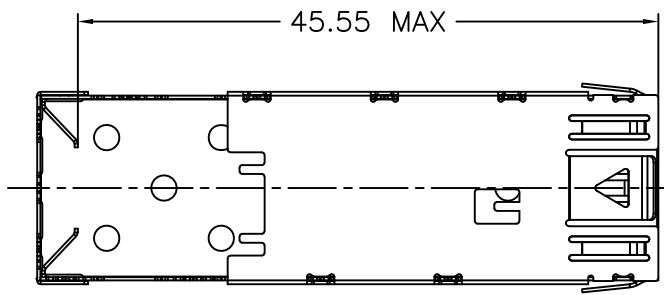
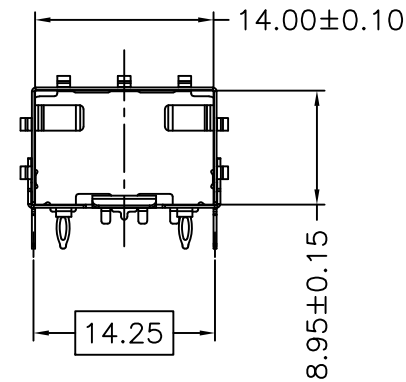
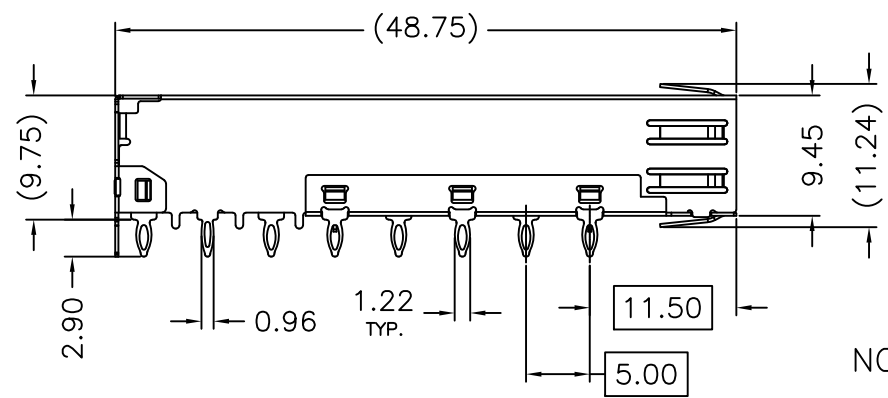
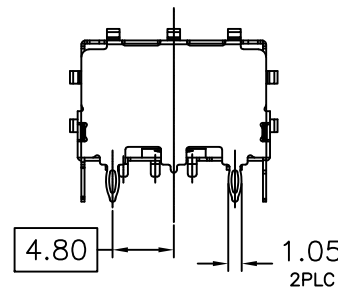
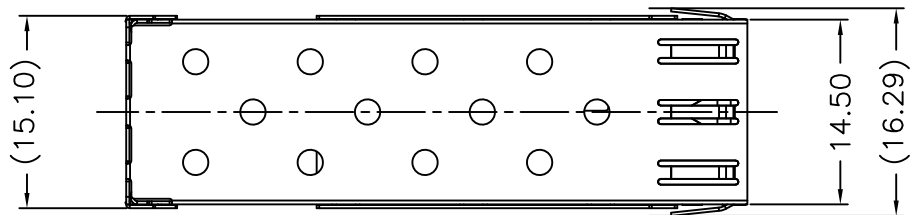




REV	EC No.	DESCRIPTION	Symbol	DATE
A	/	new release	/	Oct.12, 2021



NOTES:

- 1.MATERIAL: NICKEL SILVER, THICKNESS 0.25mm
- 2.PACKAGING: TRAY PACKAGING
- 3.TEMPERATURE RANGE: -55°C TO +85°C

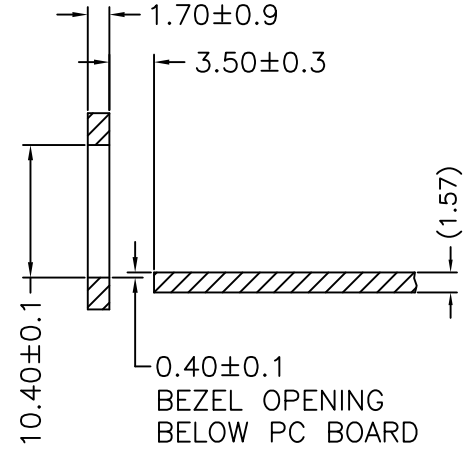
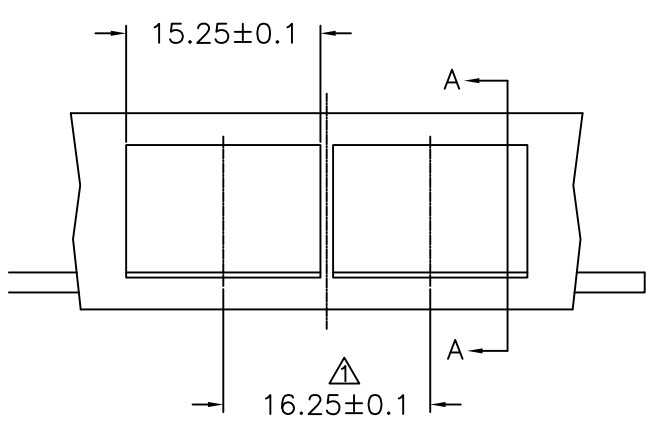
For more information, please help to contact: connmold@foxmail.com. Tel.:18922965797

WWW.connmold.COM		ConnMold	
DIMENSION UNITS	TOLERANCE		
MM	X±0.50 .XX±0.25 .X±0.35 .XXX±0.15	PART NAME SFP 1X1 CAGE ASS'Y WITH GND PIN PRESS-FIT	
DRWN:Robert	Oct.12,2021	PART NUMBER	
CHK'D:Yuri	Oct.12,2021	CMSFP661002	
APPR:Linda	Oct.12,2021	REVISION	
THIRD ANGLE PROJECTION		CUSTOMER P/N	
		/	
CUSTOMER		SHEET NUMBER	
GENERAL MARKET		1 OF 3	

6 5 4 3 2 1



REV	EC No.	DESCRIPTION	Symbol	DATE
A	/	new release	/	Oct.12, 2021



SECTION A-A

RECOMMENDED BEZEL DESIGN

NOTES:
 ▲ MINIMUM PITCH ILLUSTRATED, ENGLISH DIMENSIONS ARE FOR REFERENCE ONLY

For more information, please help to contact: connmold@foxmail.com. Tel.:18922965797

WWW.connmold.COM		ConnMold	
DIMENSION UNITS	TOLERANCE		
MM	X±0.50 .XX±0.25 .X±0.35 .XXX±0.15	PART NAME SFP 1X1 CAGE ASS'Y WITH GND PIN PRESS-FIT	
DRWN:Robert	Oct.12,2021	PART NUMBER	
CHK'D:Yuri	Oct.12,2021	CMSFP661002	
APPR:Linda	Oct.12,2021	REVISION	
THIRD ANGLE PROJECTION		CUSTOMER	
		GENERAL MARKET	
CUSTOMER P/N		SHEET NUMBER	
/		3 OF 3	

6 5 4 3 2 1