

6

5

4

3

2

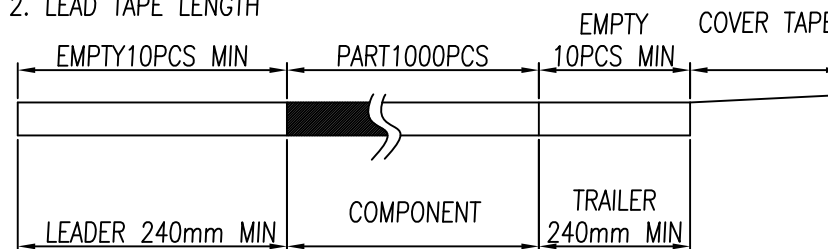
1

| REV | EC No. | DESCRIPTION | Symbol | DATE          |
|-----|--------|-------------|--------|---------------|
| A   | /      | new release | /      | Dec. 11, 2019 |
|     |        |             |        |               |
|     |        |             |        |               |

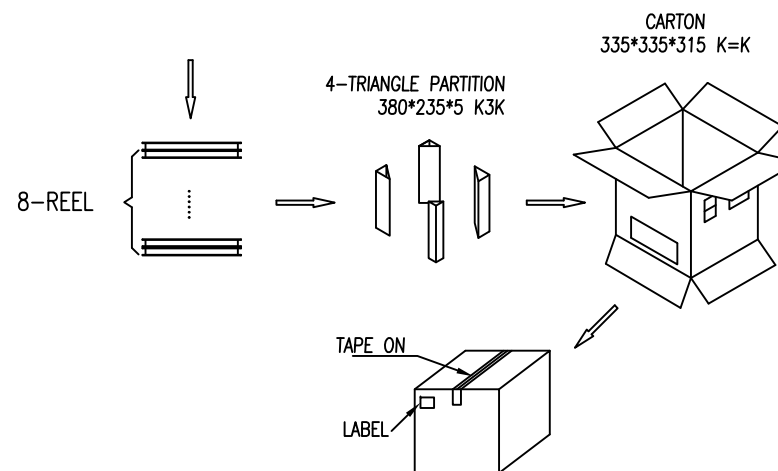
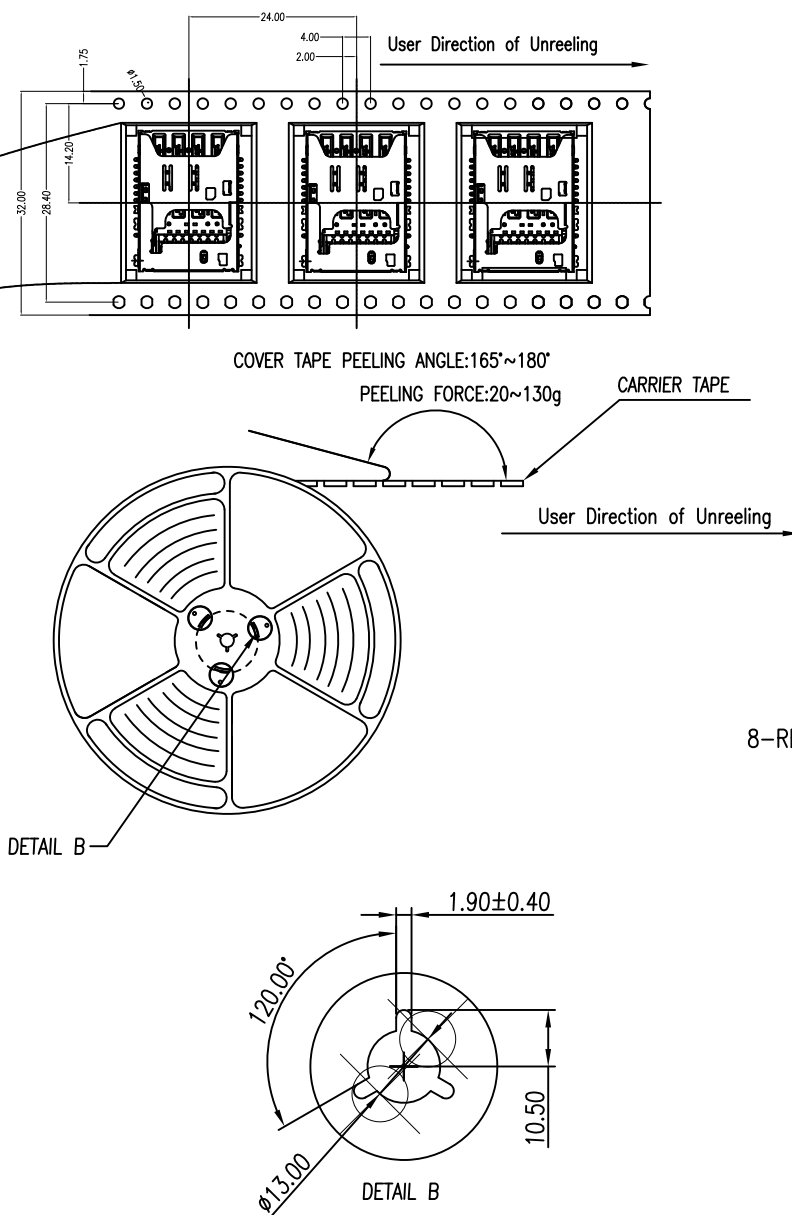


## NOTES

1. NUMBER OF CONNECTORS:1000PCS/REEL
2. LEAD TAPE LENGTH



3. QUANTITY:8000PCS/CARTON



For more information, please help to contact: connmold@foxmail.com Tel.: 18922965797

| WWW.connmold.COM       |                                      | ConnMold       |  |
|------------------------|--------------------------------------|----------------|--|
| DIMENSION UNITS        | TOLERANCE                            |                |  |
| MM                     | X±0.50 .XX±0.25<br>.X±0.35 .XXX±0.15 | 2.28MM HEIGHT  |  |
| DRWN:Robert            | Dec.11,2019                          | PART NUMBER    |  |
| CHK'D:Yuri             | Dec.11,2019                          | CMMSM661005    |  |
| APPR:Linda             | Dec.11,2019                          | REVISION       |  |
| THIRD ANGLE PROJECTION | CUSTOMER P/N                         | CUSTOMER       |  |
|                        | /                                    | GENERAL MARKET |  |
|                        |                                      | SHEET NUMBER   |  |
|                        |                                      | 2 OF 2         |  |

6

5

4

3

2

1