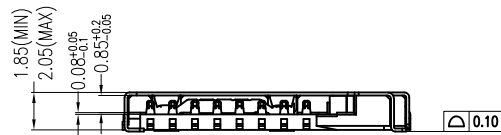
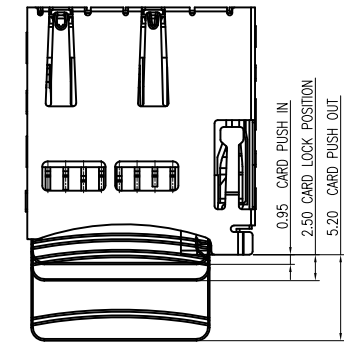
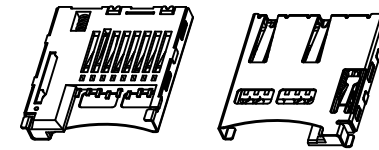
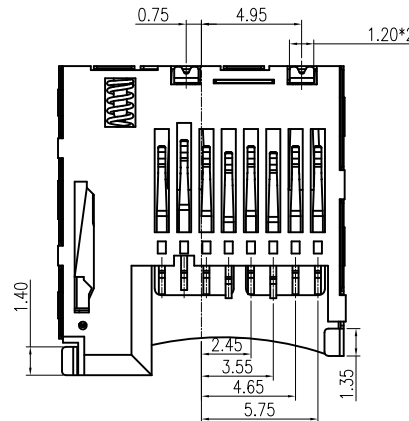
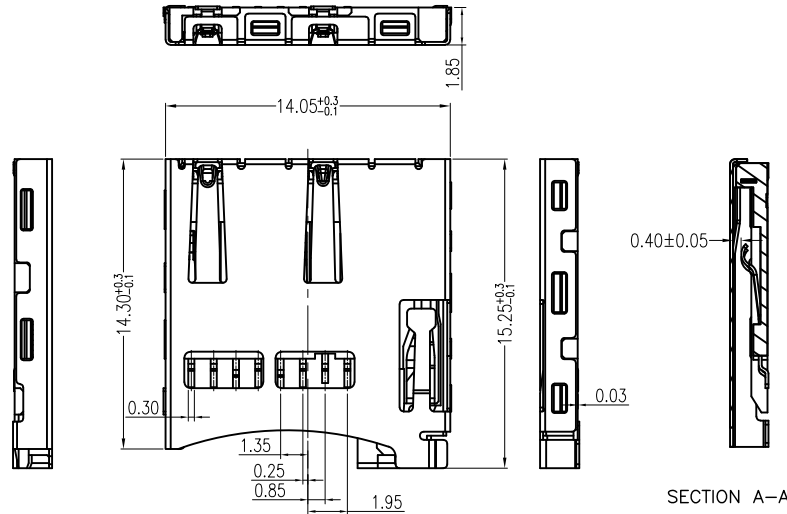


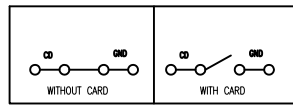
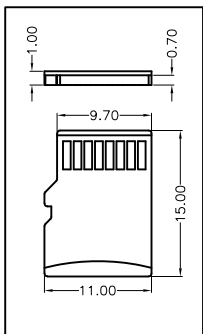
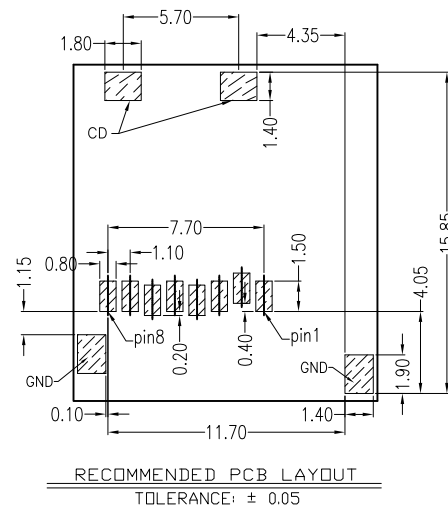
REV	EC No.	DESCRIPTION	Symbol	DATE
A	/	new release	/	Nov. 12, 2021



NOTE:

- MATERIAL:**
HOUSING: LCP, BLACK, UL 94V-0
CONTACT: PHOSPHOR BRONZE, T=0.150MM
SHELL: STAINLESS STEEL T=0.15MM
- FINISH**
CONTACT: 30u"Min PLATING OVER ALL
GOLD FLASH ON THE CONTACT AREA
TIN ON SOLDER AREA
SHELL: GOLD FLASH ON THE SOLDER AREA
- RATED PARAMETERS OF CONNECTOR**
3-1. Operating temperature: -40°C to +85°C
3-2. Rated Current: 0.5A
3-3. Rated Voltage: 30V DC Per Contact
- ELECTRICAL MECHANICAL ENVIRONMENTAL**
4-1. Dielectric withstanding Voltage: 500V AC min
4-2. Insulation Resistance: 1000MΩ Min
4-3. Durability: 10000 cycles
- PACKAGE:** TAPE REEL, 1000PCS/REEL

PIN NO.	NAME	TYPE	DESCRIPTION
1	DAT2	I/O/PP	DATE LINE (BIT2)
2	CD/DAT3	I/O/PP	CARD DETECT DATE LIN (BIT3)
3	CMD	PP	COMMAND RESPONSE
4	VDD	S	SUPPLY VOLTAGE
5	CLX	I	CLOCK
6	VSS	S	SUPPLY VOLTAGE GROUND
7	DAT0	I/O/PP	DATE LINE (BIT0)
8	DAT1	I/O/PP	DATE LINE (BIT1)



6	SPRING	PIANO WIRE	1pcs	NICKLE
5	LEVER	STAINLESS STEEL	1pcs	NICKLE
4	SLIDER	High Temp. thermoplastic	1pcs	BLACK
3	SHELL	STAINLESS STEEL	1pcs	NICKLE
2	CONTACT	COPPER ALLOY	1Set	Selective Gold flash
1	HOUSING	High Temp. thermoplastic	1pcs	BLACK
No.	PART NAME	MATERIAL	Q'TY	FINISHING

DIMENSION UNITS		TOLERANCE		<h1>ConnMold</h1>	
MM		X±0.50 .XX±0.25 .X±0.35 .XXX±0.15			
DRWN: Robert				Nov. 12, 2021	
CHK'D: Yuri				Nov. 12, 2021	
APPR: Linda				Nov. 12, 2021	
THIRD ANGLE PROJECTION		CUSTOMER P/N		CUSTOMER	
		/		GENERAL MARKET	
PART NAME				MICRO SD PUSH PUSH TYPE	
PART NUMBER				CMMSD661003	
REVISION				A	
SHEET NUMBER				1 OF 1	



ConnMold

PART NAME
MICRO SD PUSH PUSH TYPE
1.85MM HEIGHT

PART NUMBER
CMMSD661003

CUSTOMER
GENERAL MARKET

REVISION
A

SHEET NUMBER
1 OF 1