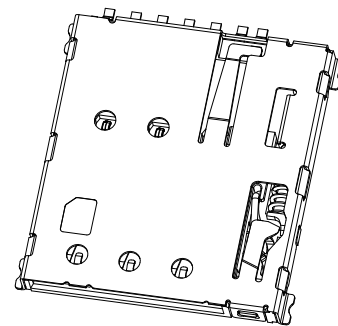
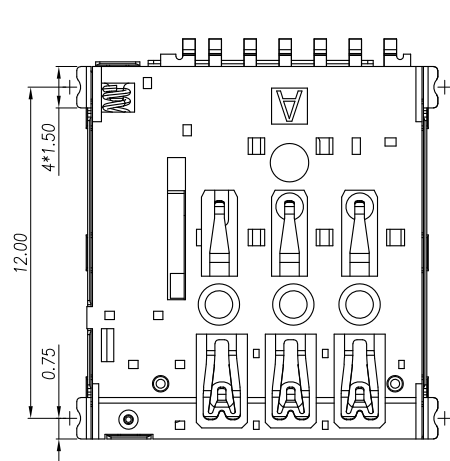
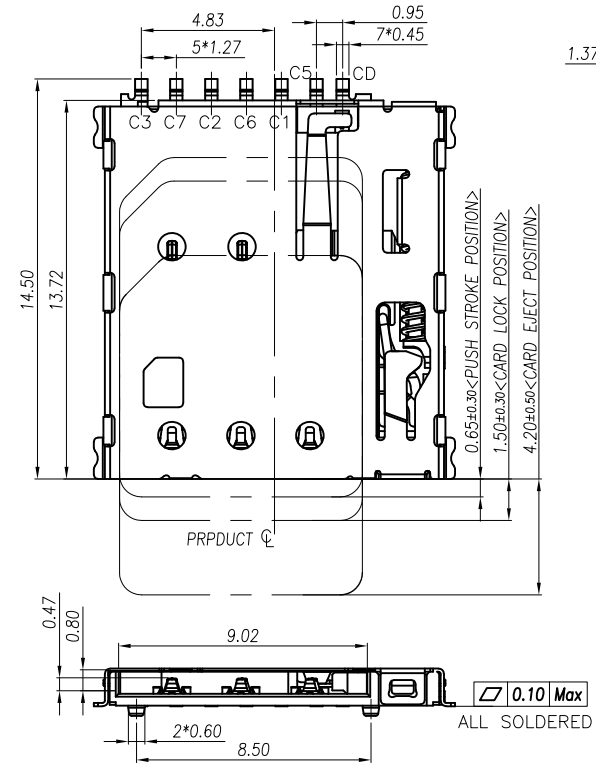
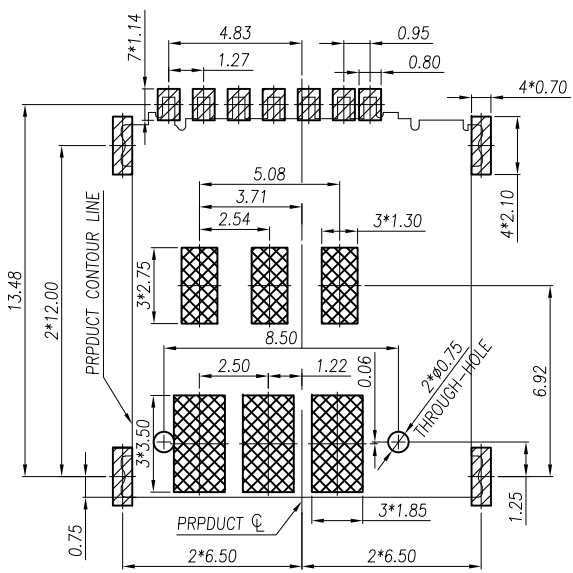




REV	EC No.	DESCRIPTION	Symbol	DATE
A	/	new release	/	Jan. 12, 2021



3D VIEW

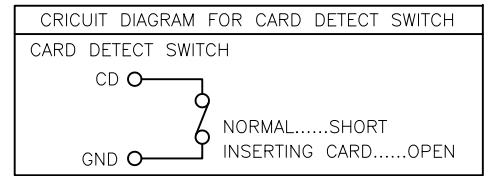


RECOMMENDED PCB LAYOUT TOP VIEW (TOLERANCE:±0.05)
RECOMMENDED METAL MASK T=0.12mm

- SMT SOLDER AREA
- NO PATTERN AND VIA HOLE IN HTIS AREA

- NOTE:
- MATERIAL:**
HOUSING: THERMOPLASTICS,LCP,BLACK,UL 94V-0
CONTACT: PHOSPHOR BRONZE,T=0.10MM
SHELL: STAINLESS STEEL T=0.12MM
 - FINISH**
CONTACT: 50u"Min Ni PLATING OVER ALL
GOLD FLASH ON CONTACT AREA
AND GOLD FLASH ON SOLDER AREA
SHELL: 50u"Min Ni PLATING OVER ALL
GOLD FLASH ON SOLDER AREA
 - RATED PARAMETERS OF CONNECTOR**
3-1.Operating temperature: -40°C to +85°C
3-2.Rated Current:0.5A
3-3.Rater Voltage:30V AC
 - ELECTRICAL MECHANICAL ENVIRONMENTAL**
4-1.Dielectric withstanding Voltage:500V AC min
4-2.Insulation Resistance: 1000MΩ Min
4-3.Durability: 3000 cycles
 - PACKAGE: TAPE REEL, 1000PCS/REEL**

PIIN/NO	ASSIGNMENT
C1	VCC
C2	RST
C3	CLK
CD	Detect Switch
C5	GND
C6	VPP
C7	I/O



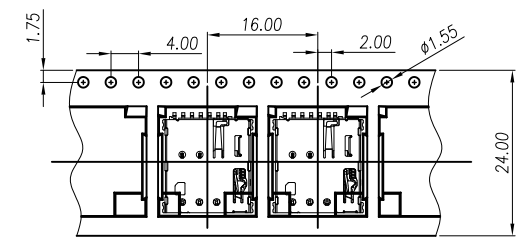
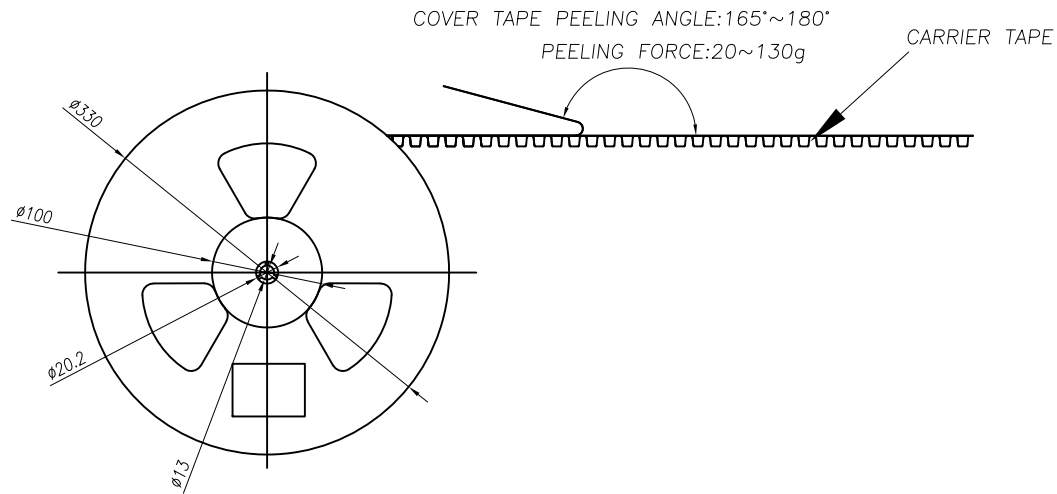
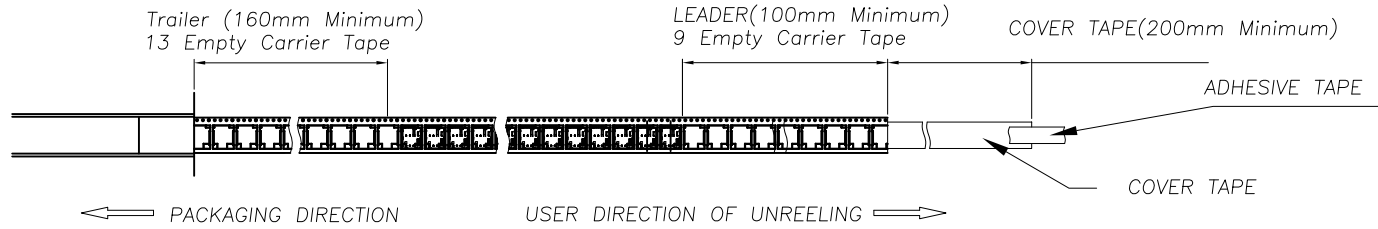
THIS ONE IS WITH POST.

For more information, please help to contact: connmold@foxmail.com, Tel.:18922965797			
WWW.CONNMOLD.COM		<h1>ConnMold</h1>	
DIMENSION UNITS	TOLERANCE		
MM	X±0.50 .XX±0.25 .X±0.35 .XXX±0.15	PART NAME	NANO SIM PUSH TYPE 1.37MM HEIGHT
DRWN: Robert	jan. 12, 2021	PART NUMBER	CMNSM661002
CHK'D: Yuri	jan. 12, 2021	REVISION	A
APPR: Linda	jan. 12, 2021	CUSTOMER	GENERAL MARKET
THIRD ANGLE PROJECTION	CUSTOMER P/N	CUSTOMER	SHEET NUMBER
	/	GENERAL MARKET	1 OF 2

6 5 4 3 2 1



REV	EC No.	DESCRIPTION	Symbol	DATE
A	/	new release	/	Jan. 12, 2021



DETAIL A

NOTE:
 TAPE REEL PACKAGE
 1000PCS/REEL
 10000PCS/CARTON
 CARTON SIZE: 350MM*350MM*340MM

For more information, please help to contact: connmold@foxmail.com, Tel.:18922965797

WWW.CONNMOLD.COM		ConnMold	
DIMENSION UNITS	TOLERANCE		
MM	X±0.50 .XX±0.25 .X±0.35 .XXX±0.15	PART NAME	NANO SIM PUSH TYPE 1.37MM HEIGHT
DRWN: Robert	jan. 12, 2021	PART NUMBER	CMNSM661002
CHK'D: Yuri	jan. 12, 2021	REVISION	A
APPR: Linda	jan. 12, 2021	CUSTOMER	GENERAL MARKET
THIRD ANGLE PROJECTION	CUSTOMER P/N	CUSTOMER	SHEET NUMBER
	/	GENERAL MARKET	2 OF 2

6 5 4 3 2 1