

6

5

4

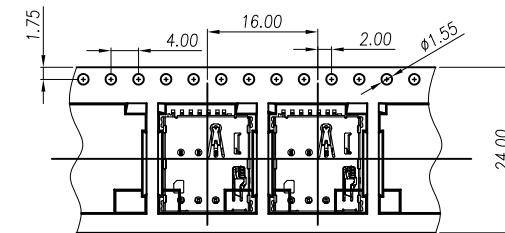
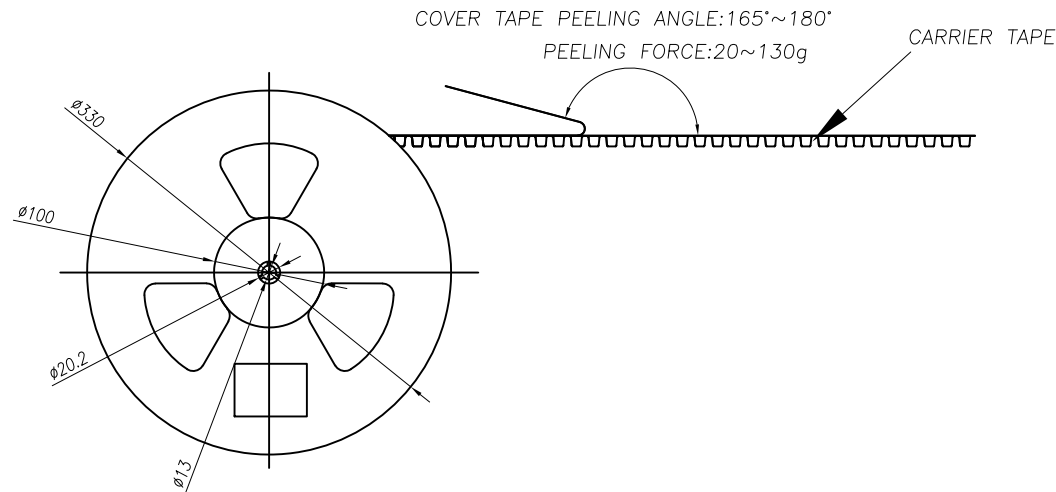
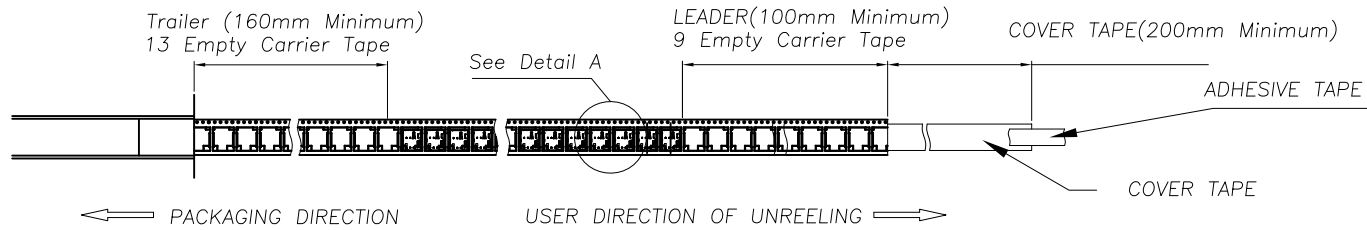
3

2

1



REV	EC No.	DESCRIPTION	Symbol	DATE
A	/	new release	/	Jan. 12, 2021



DETAIL A

NOTE:

TAPE REEL PACKAGE
 1000PCS/REEL
 10000PCS/CARTON
 CARTON SIZE: 350MM*350MM*340MM

For more information, please help to contact: connmold@foxmail.com, Tel.:18922965797

WWW.connmold.COM		ConnMold	
DIMENSION UNITS	TOLERANCE		
MM	X \pm 0.50 .XX \pm 0.25 .X \pm 0.35 .XXX \pm 0.15	PART NAME NANO SIM PUSH TYPE 1.37MM HEIGHT	
DRWN:Robert	jan.12,2021	PART NUMBER CMNSM661004	
CHK'D:Yuri	jan.12,2021	REVISION A	
APPR:Linda	jan.12,2021	SHEET NUMBER 2 OF 2	
THIRD ANGLE PROJECTION	CUSTOMER P/N	CUSTOMER	SHEET NUMBER
	/	GENERAL MARKET	2 OF 2

6

5

4

3

2

1