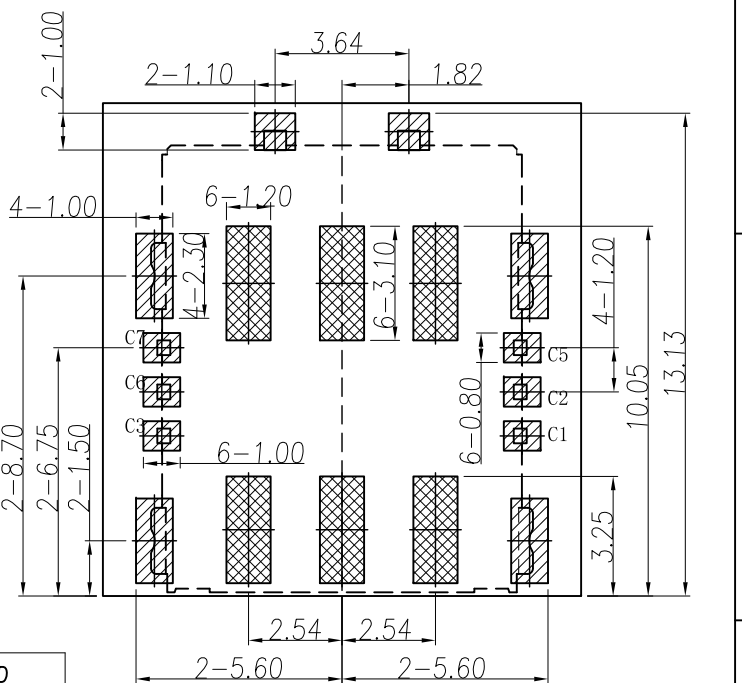


REV	EC No.	DESCRIPTION	Symbol	DATE
A	/	new release	/	Oct. 12, 2021



SMT SOLDER AREA  
 KEEP OUT AREA  
 RECOMMENDED PCB LAYOUT TOP VIEW  
 TOLERANCE: ±0.05

NANO SIM CARD	
Pin No.	NAME
C1	VCC
C2	RST
C3	CLK
C5	GND
C6	VPP
C7	I/O

COMPATIBLE WITH MOLEX:  
**1042240820**

- NOTE:**
- MATERIAL:**  
 HOUSING: LCP, BLACK, UL 94V-0  
 CONTACT: PHOSPHOR BRONZE, T=0.08MM  
 SHELL: STAINLESS STEEL T=0.10MM
  - FINISH:**  
 CONTACT: 30u" Min NICKEL PLATING OVER ALL  
 GOLD FLASH ON THE CONTACT AREA  
 100u" TIN ON THE SOLDER AREA
  - RATED PARAMETERS OF CONNECTOR**  
 3-1. Operating temperature: -40°C to +85°C  
 3-2. Rated Current: 0.5A  
 3-3. Rated Voltage: 30V DC Per Contact
  - ELECTRICAL MECHANICAL ENVIRONMENTAL**  
 4-1. Dielectric withstanding Voltage: 500V AC min  
 4-2. Insulation Resistance: 1000MΩ Min  
 4-3. Durability: 3000 cycles
  - PACKAGE:** TAPE REEL, 2000PCS/REEL, 20K/CARTON

For more information, please help to contact: connmold@foxmail.com, Tel.: 18922965797			
WWW.CONNMOLD.COM		<h1>ConnMold</h1>	
DIMENSION UNITS	TOLERANCE		
MM	X±0.50 .XX±0.25 .X±0.35 .XXX±0.15	PART NAME	NANO SIM PUSH PULL TYPE 1.13MM HEIGHT
DRWN: Robert	Oct. 12, 2021	PART NUMBER	CMNSM661007
CHK'D: Yuri	Oct. 12, 2021	REVISION	A
APPR: Linda	Oct. 12, 2021	CUSTOMER	GENERAL MARKET
THIRD ANGLE PROJECTION	CUSTOMER P/N	SHEET NUMBER	
	/	1 OF 2	

6

5

4

3

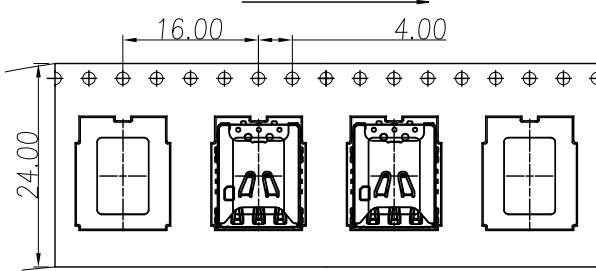
2

1



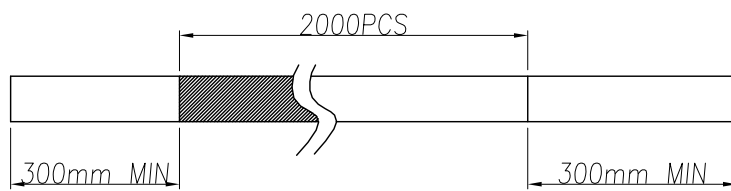
REV	EC No.	DESCRIPTION	Symbol	DATE
A	/	new release	/	Oct. 12, 2021

Direction of use



NOTES:

- 1、 Packing quantity per plate: 2000PCS/Plate
- 2、 Loading and packing method

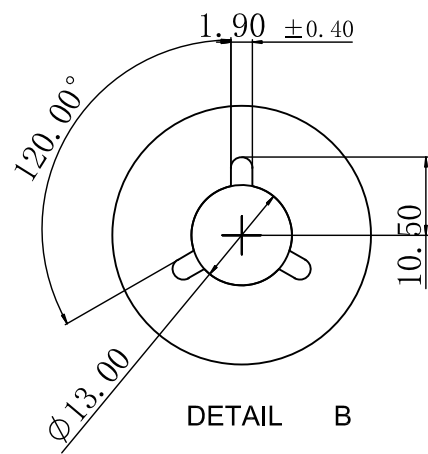
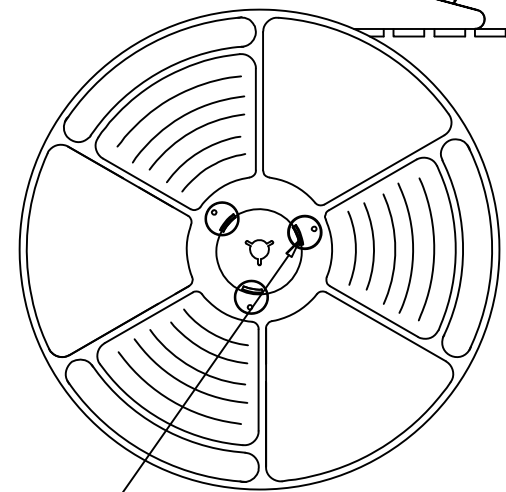


- 3、 Total packaging: 20000PCS/Box

OVER TAPE PEELING FORCE: 20gf~120gf

Carrier Tape

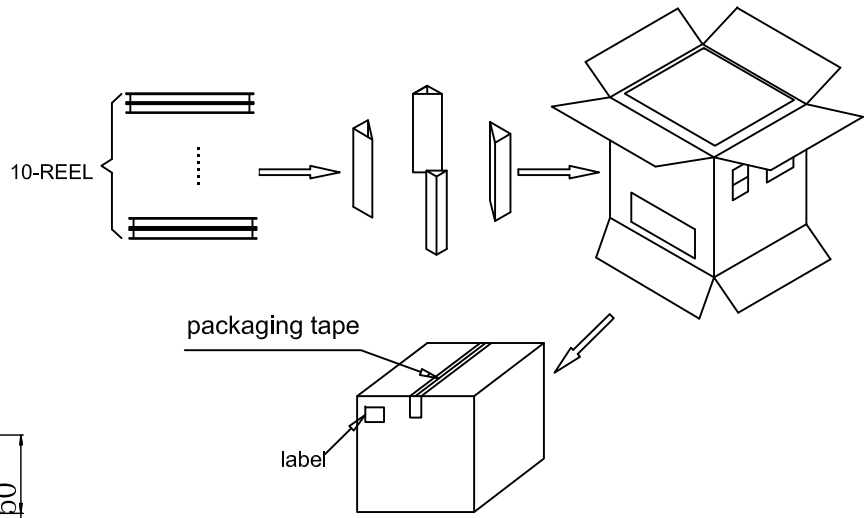
Direction of use



DETAIL B

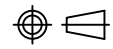
DETAIL B

350\*350\*340mm



For more information, please help to contact: connmold@foxmail.com, Tel.:18922965797

WWW.CONNMOLD.COM		<h1>ConnMold</h1>	
DIMENSION UNITS	TOLERANCE		
MM	X±0.50 .XX±0.25 .X±0.35 .XXX±0.15	PART NAME NANO SIM PUSH PULL TYPE 1.13MM HEIGHT	
DRWN: Robert	Oct. 12, 2021	PART NUMBER CMNSM661007	
CHK'D: Yuri	Oct. 12, 2021	REVISION A	
APPR: Linda	Oct. 12, 2021	SHEET NUMBER 2 OF 2	
THIRD ANGLE PROJECTION	CUSTOMER P/N /	CUSTOMER GENERAL MARKET	



6 5 4 3 2 1