

6

5

4

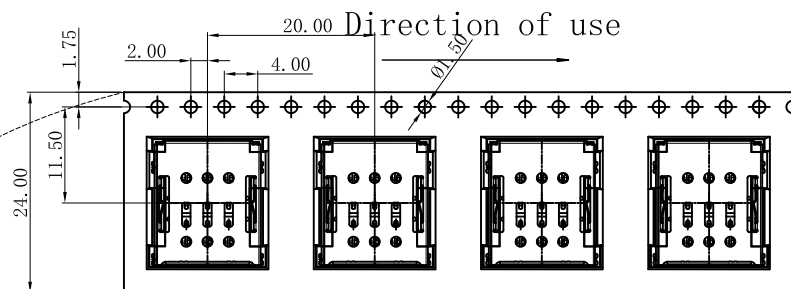
3

2

1

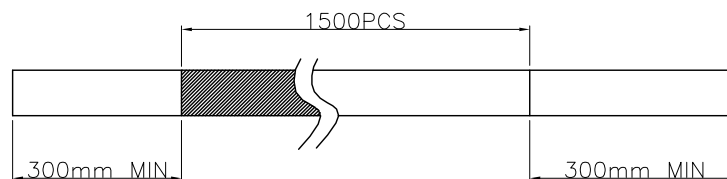


REV	EC No.	DESCRIPTION	Symbol	DATE
A	/	new release	/	Oct. 12, 2021



NOTES:

- 1、 Packing quantity per plate: 1500PCS/Plate
- 2、 Loading and packing method

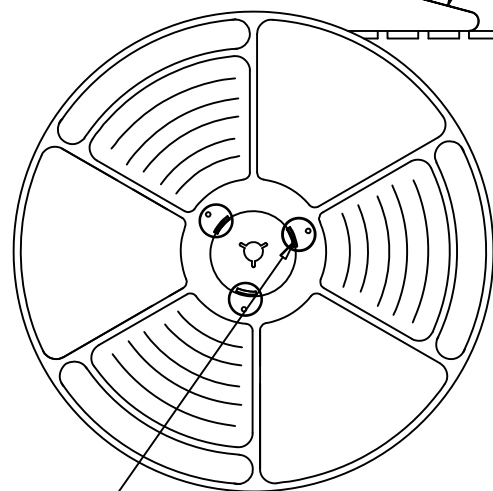


- 3、 Total packaging: 15000PCS/CARTON

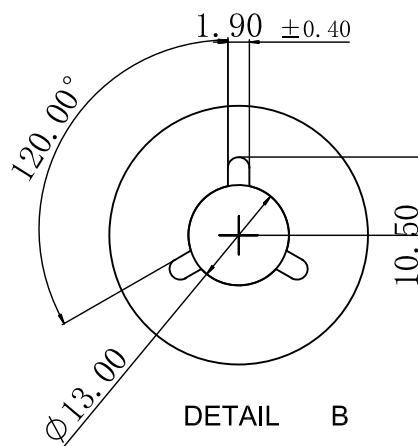
OVER TAPE PEELING FORCE: 20gf~120gf

Carrier Tape

Direction of use

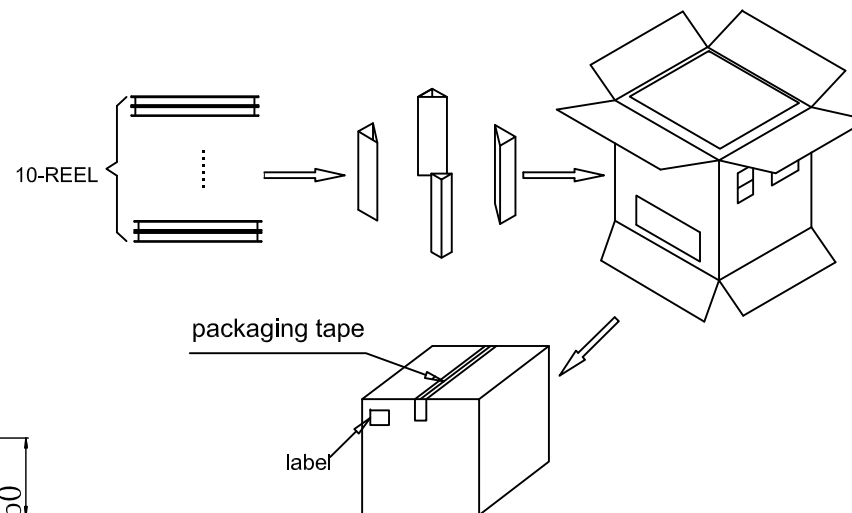


DETAIL B



DETAIL B

350*350*340mm



For more information, please help to contact: connmold@foxmail.com, Tel.:18922965797

WWW.CONNMOLD.COM		ConnMold	
DIMENSION UNITS	TOLERANCE		
MM	X±0.50 .XX±0.25 .X±0.35 .XXX±0.15	PART NAME	NANO SIM TRAY TYPE 1.40MM HEIGHT
DRWN: Robert	Oct. 12, 2021	PART NUMBER	CMNSM661009
CHK'D: Yuri	Oct. 12, 2021	REVISION	A
APPR: Linda	Oct. 12, 2021	CUSTOMER	GENERAL MARKET
THIRD ANGLE PROJECTION	CUSTOMER P/N	SHEET NUMBER	2 OF 2
	/		

6

5

4

3

2

1