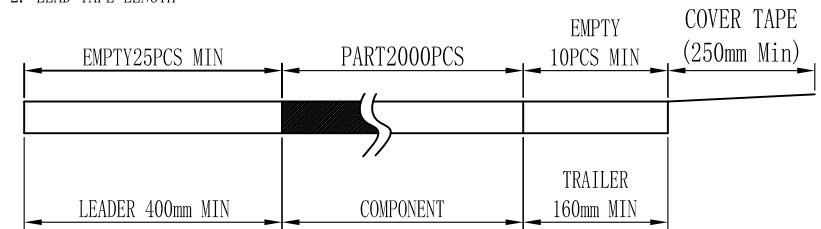




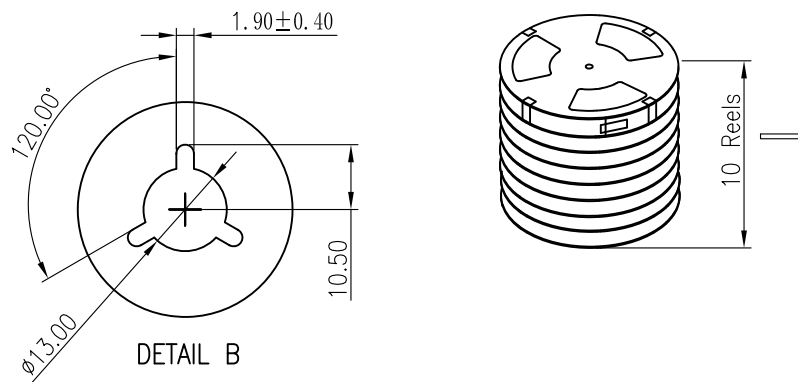
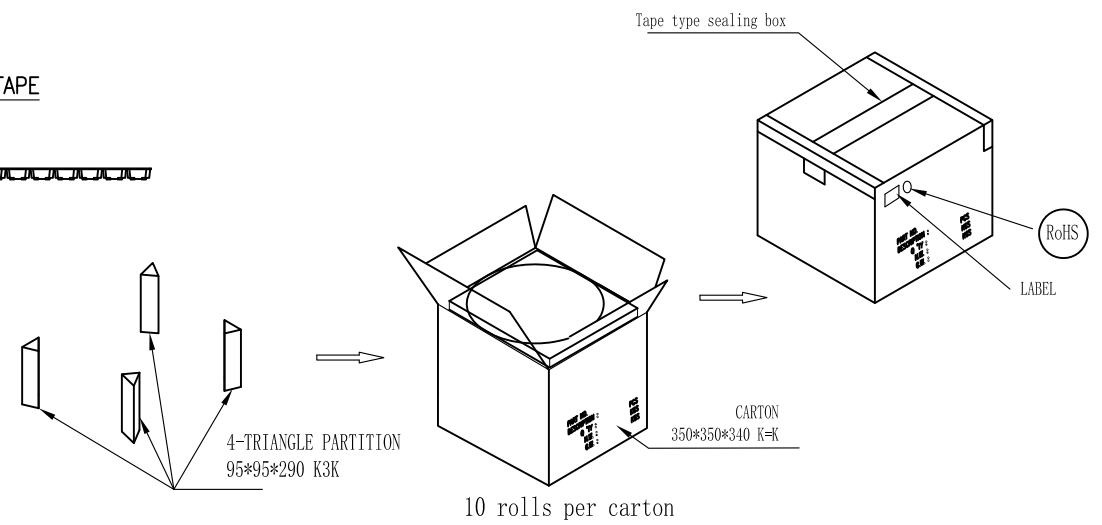
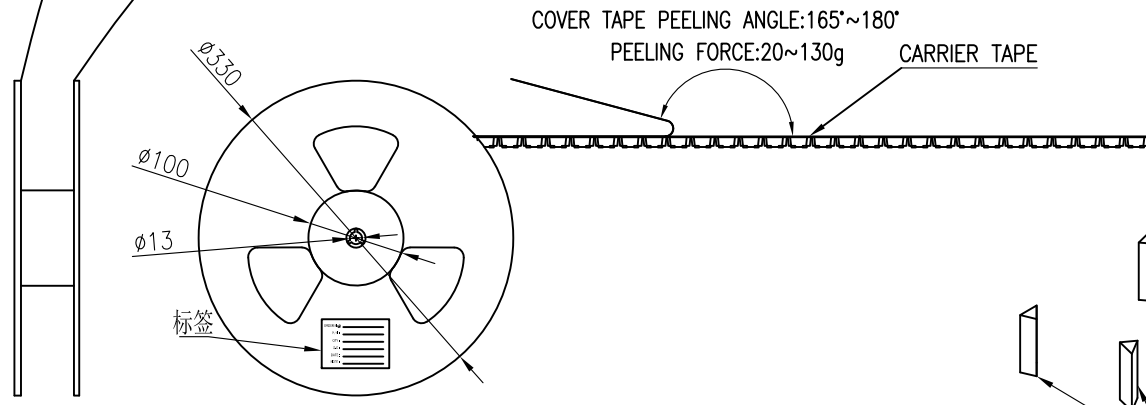
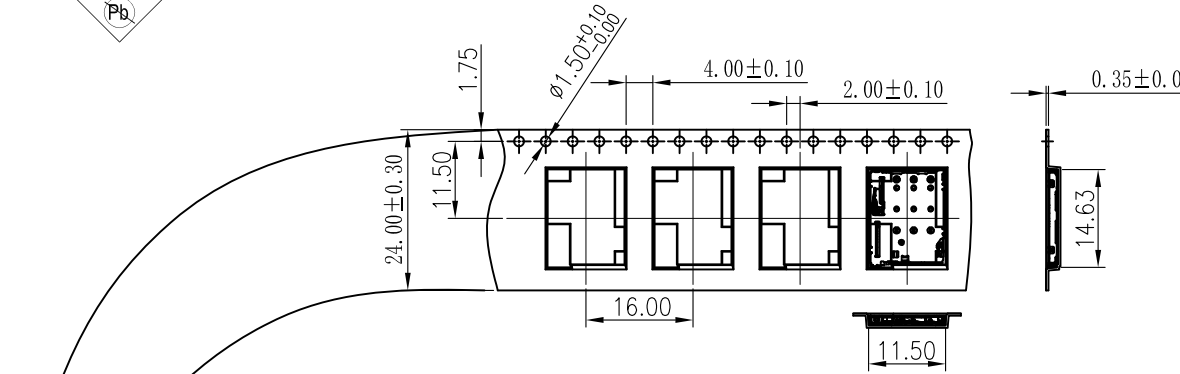
REV	EC No.	DESCRIPTION	Symbol	DATE
A	/	new release	/	Oct. 12, 2021

NOTES

1. NUMBER OF CONNECTORS: 2000PCS/REEL
2. LEAD TAPE LENGTH



3. QUANTITY: 20000PCS/CARTON



For more information, please help to contact: connmold@foxmail.com , Tel.: 18922965797				
WWW.CONNMOLD.COM		<h1>ConnMold</h1>		
DIMENSION UNITS	TOLERANCE			
MM	$X \pm 0.50$.XX ± 0.25 $.X \pm 0.35$.XXX ± 0.15	PART NAME	NANO SIM PUSH PUSH TYPE	
DRWN: Robert	Oct. 12, 2021	1.25MM HEIGHT		REVISION
CHK'D: Yuri	Oct. 12, 2021	PART NUMBER	CMNSM661012	A
APPR: Linda	Oct. 12, 2021	CUSTOMER	GENERAL MARKET	SHEET NUMBER
THIRD ANGLE PROJECTION	CUSTOMER P/N	/		3 OF 3