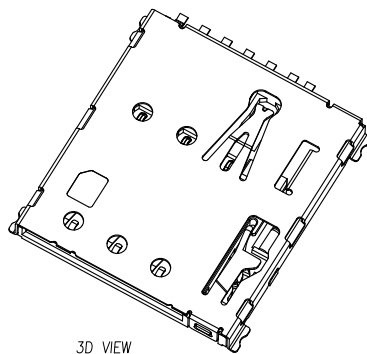
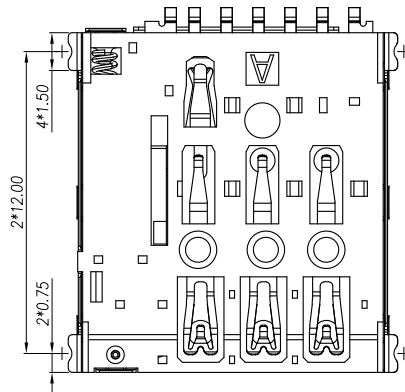
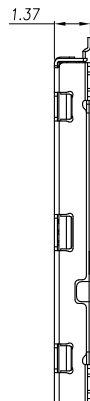
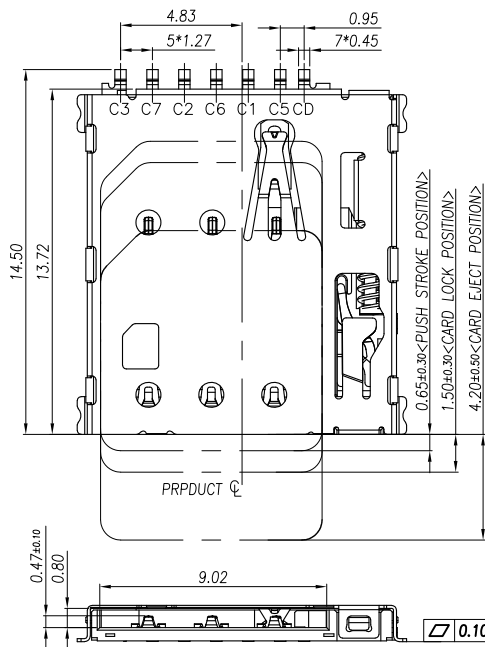
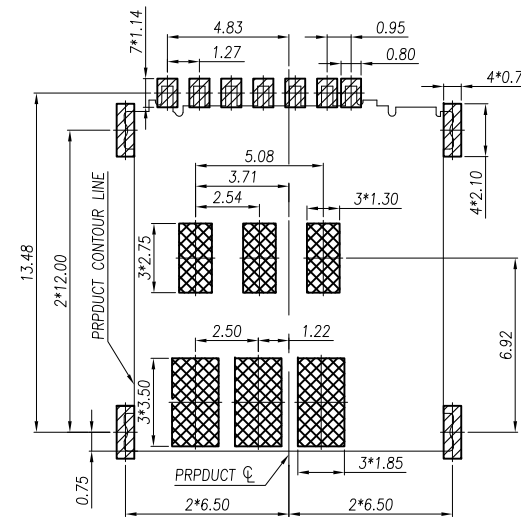




REV	EC No.	DESCRIPTION	Symbol	DATE
A	/	new release	/	Jan. 12, 2021



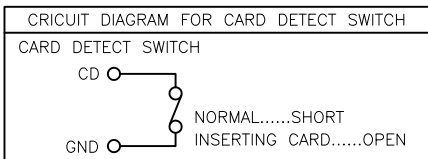
3D VIEW



RECOMMENDED PCB LAYOUT TOP VIEW (TOLERANCE:±0.05)
RECOMMENDED METAL MASK T=0.12mm

- SMT SOLDER AREA
- NO PATTERN AND VIA HOLE IN THIS AREA

PIIN/NO	ASSIGNMENT
C1	VCC
C2	RST
C3	CLK
CD	Detect Switch
C5	GND
C6	VPP
C7	I/O



NOTES:

- MATERIAL:
 - HOUSING: High Temperature Thermoplastic
 - Terminal:Copper Alloy
 - Shell: Stainless Steel
- PLATING:
 - Terminal:50u" Ni UNDERPLATED OVERALL
 - G/F PLATED ON CONTACT AREA AND SOLDER AREA
 - Shell:30u" Ni UNDERPLATED OVERALL
 - G/F PLATED ON CONTACT AREA AND SOLDER AREA
- TECHNICAL SPECIFICATIONS:
 - RATED VOLTAGE: 30V AC MAX.
 - CURRENT RATING: 0.5A MAX.
 - INSULATION RESISTANCE:1000MΩ MIN
 - CONTACT REISTANCE:50mΩ MAX
 - WITHSTANDING VOLTAGE: 500V AC FOR 1 MINUTES
 - OPERATING TEMPERATURE: -40℃~+85℃
 - Humidity 80% R.H MAX
- PACKING:TAPE REEL, 1000PCS/REEL

THIS ONE DO NOT HAVE POST

For more information, please help to contact: connmold@foxmail.com, Tel.:18922965797

WWW.connmold.COM		<h1>ConnMold</h1>	
DIMENSION UNITS	TOLERANCE		
MM	X±0.50 .XX±0.25 .X±0.35 .XXX±0.15	PART NAME	NANO SIM PUSH TYPE 1.37MM HEIGHT
DRWN:Robert	jan.12,2021	PART NUMBER	CMNSM661005
CHK'D:Yuri	jan.12,2021	REVISION	A
APPR:Linda	jan.12,2021	CUSTOMER	GENERAL MARKET
THIRD ANGLE PROJECTION	CUSTOMER P/N	CUSTOMER	SHEET NUMBER
	/	GENERAL MARKET	1 OF 1

6

5

4

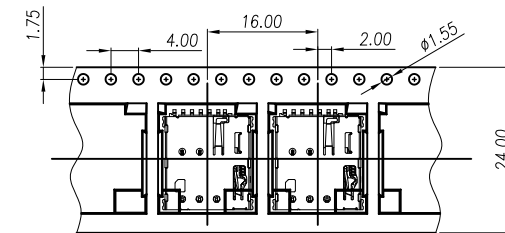
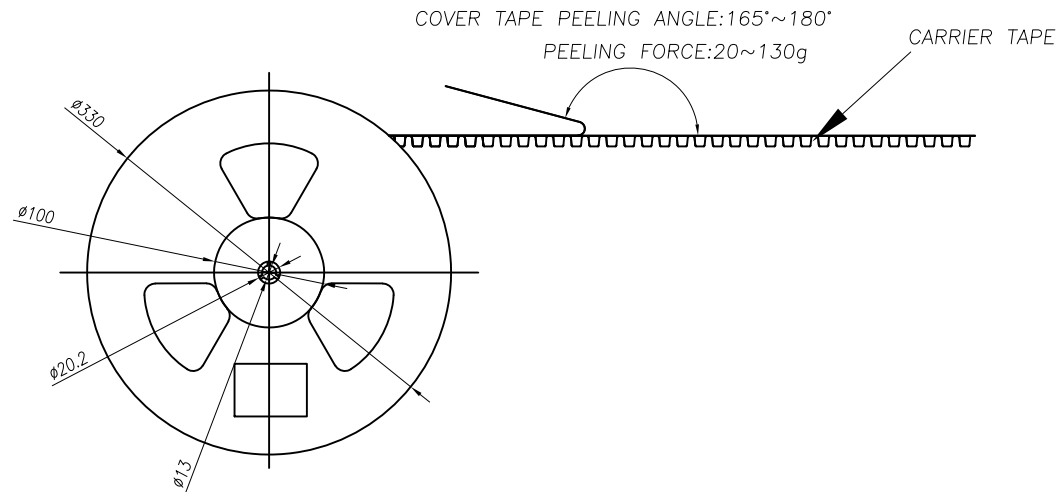
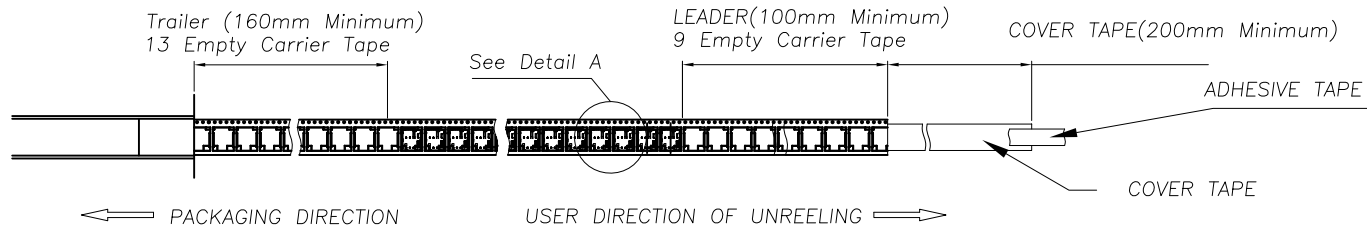
3

2

1



REV	EC No.	DESCRIPTION	Symbol	DATE
A	/	new release	/	Jan. 12, 2021



DETAIL A

NOTE:

TAPE REEL PACKAGE
 1000PCS/REEL
 10000PCS/CARTON
 CARTON SIZE: 350MM*350MM*340MM

For more information, please help to contact: connmold@foxmail.com, Tel.:18922965797

WWW.connmold.COM		ConnMold	
DIMENSION UNITS	TOLERANCE		
MM	X±0.50 .XX±0.25 .X±0.35 .XXX±0.15	PART NAME NANO SIM PUSH TYPE 1.37MM HEIGHT	
DRWN:Robert	jan.12,2021	PART NUMBER CMNSM661005	
CHK'D:Yuri	jan.12,2021	REVISION A	
APPR:Linda	jan.12,2021	SHEET NUMBER 2 OF 2	
THIRD ANGLE PROJECTION	CUSTOMER P/N	CUSTOMER	SHEET NUMBER
	/	GENERAL MARKET	2 OF 2

6

5

4

3

2

1