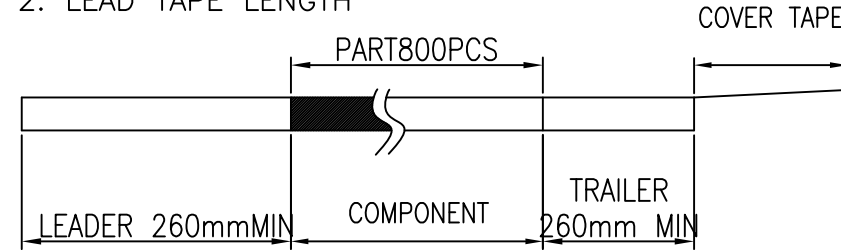


REV	EC No.	DESCRIPTION	Symbol	DATE
A	/	new release	/	Dec. 12, 2020

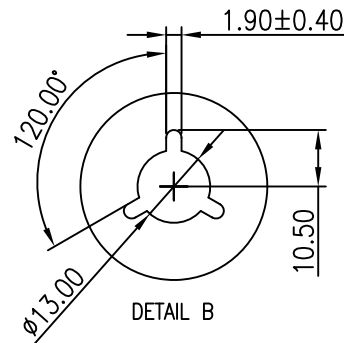
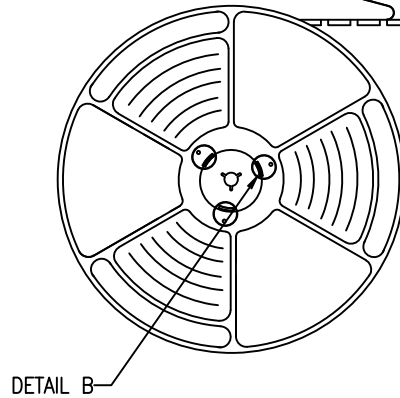
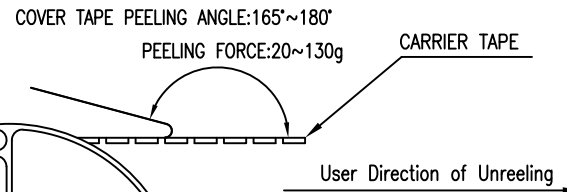
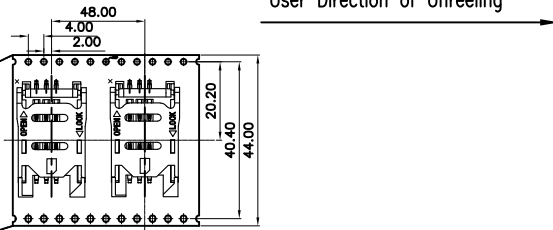
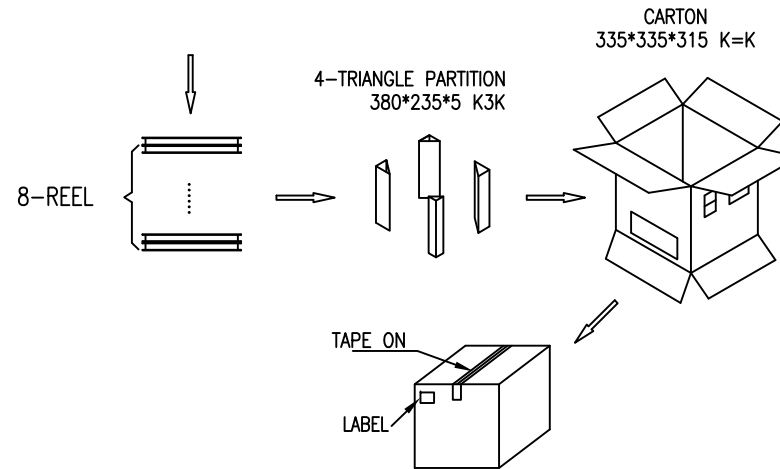


NOTES

1. NUMBER OF CONNECTORS:800PCS/REEL
2. LEAD TAPE LENGTH



3. QUANTITY:6400PCS/CARTON
4. GROSS WEIGHT: 9.8KG



for more information, please help to contact: <a href="mailto:connmold@foxmail.com">connmold@foxmail.com</a> , Tel.: 18922965797				
WWW.CONNMOLD.COM		<h1>ConnMold</h1>		
DIMENSION UNITS	TOLERANCE			
MM	X±0.50 .XX±0.25 .X±0.35 .XXX±0.15	PART NAME	SIM FLIP PLASTIC TYPE. 2.80MM HEIGHT	
DRWN: Robert	Dec. 12, 2020	PART NUMBER	CMSIM661002	
CHK'D: Yuri	Dec. 12, 2020	REVISION	A	
APPR: Linda	Dec. 12, 2020	CUSTOMER	GENERAL MARKET	
THIRD ANGLE PROJECTION	CUSTOMER P/N	SHEET NUMBER		
	/	2 OF 2		