

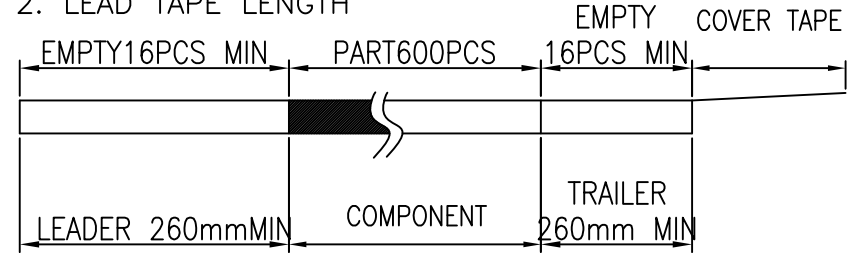
REV	EC No.	DESCRIPTION	Symbol	DATE
A	/	new release	/	Dec. 12, 2020



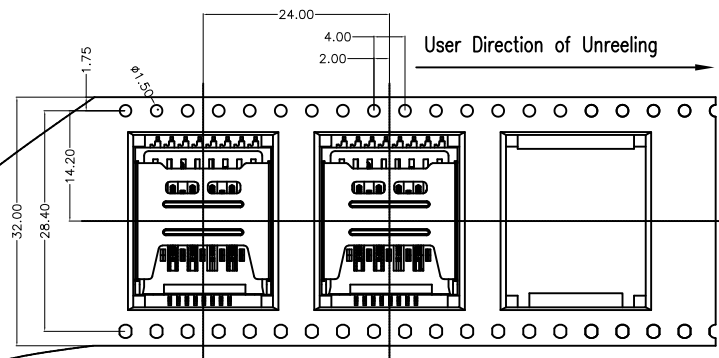
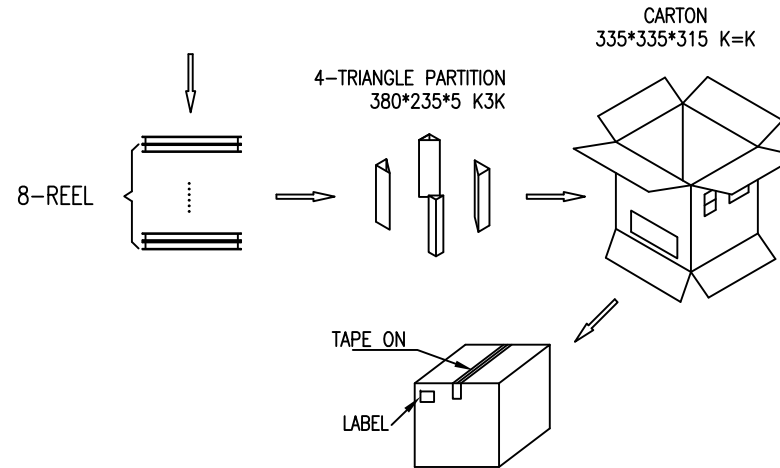
NOTES

1. NUMBER OF CONNECTORS:600PCS/REEL

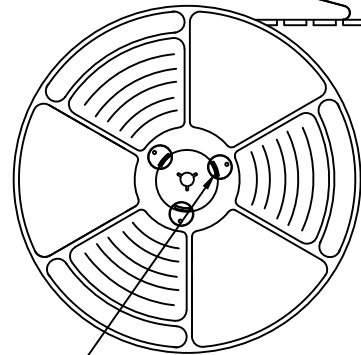
2. LEAD TAPE LENGTH



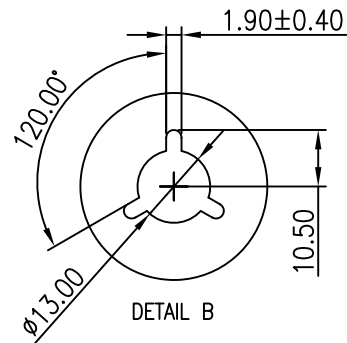
3. QUANTITY:4800PCS/CARTON



COVER TAPE PEELING ANGLE:165°~180°  
PEELING FORCE:20~130g  
CARRIER TAPE



DETAIL B



DETAIL B

for more information, please help to contact: [connmold@foxmail.com](mailto:connmold@foxmail.com) , Tel.: 18922965797

WWW.connmold.COM		ConnMold	
DIMENSION UNITS	TOLERANCE		
MM	X±0.50 .XX±0.25 .X±0.35 .XXX±0.15	PART NAME SIM+microSD COMBO CONN. 3.15MM HEIGHT	
DRWN: Robert	Dec.22,2020	PART NUMBER CMSIM661001	
CHK'D: Yuri	Dec.22,2020	REVISION A	
APPR: Linda	Dec.22,2020	SHEET NUMBER 2 OF 2	
THIRD ANGLE PROJECTION	CUSTOMER P/N /	CUSTOMER GENERAL MARKET	

