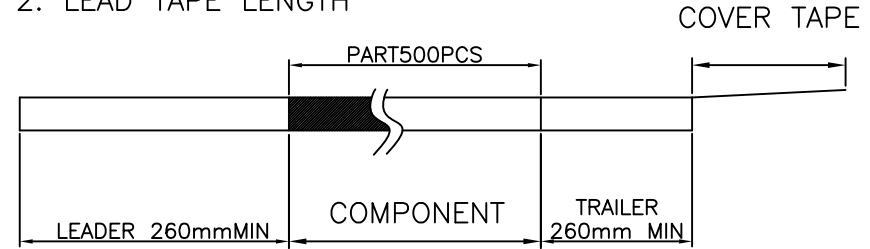


REV	EC No.	DESCRIPTION	Symbol	DATE
A	/	new release	/	Dec. 12, 2020

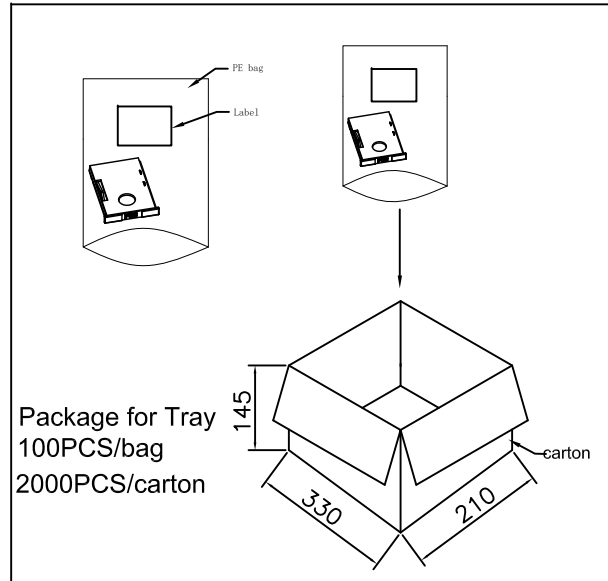
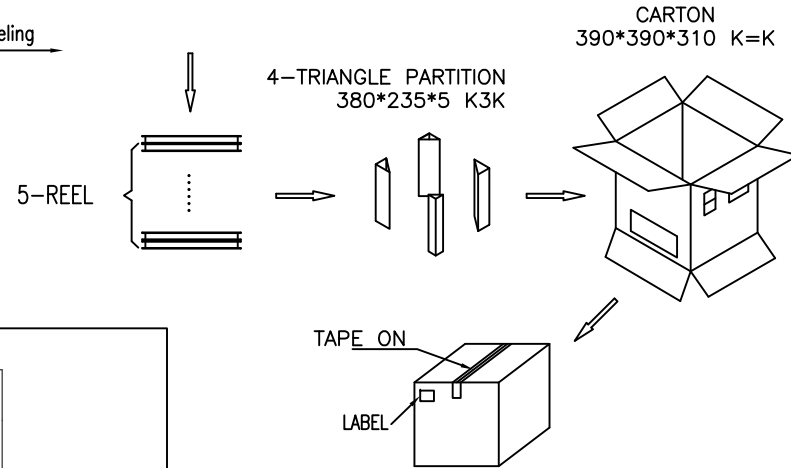


NOTES

1. NUMBER OF CONNECTORS:500PCS/REEL
2. LEAD TAPE LENGTH



3. QUANTITY: 2500PCS/CARTON



for more information, please help to contact: [connmold@foxmail.com](mailto:connmold@foxmail.com) , Tel.: 18922965797

WWW.connmold.COM		ConnMold	
DIMENSION UNITS	TOLERANCE		
MM	X±0.50 .XX±0.25 .X±0.35 .XXX±0.15	PART NAME	SIM FLIP PLASTIC TYPE. PACKAGE
DRWN: Robert	Dec. 12, 2020	PART NUMBER	CMSIM661007
CHK'D: Yuri	Dec. 12, 2020	REVISION	A
APPR: Linda	Dec. 12, 2020	CUSTOMER	GENERAL MARKET
THIRD ANGLE PROJECTION	CUSTOMER P/N	SHEET NUMBER	3 OF 3
	/		

