

6

5

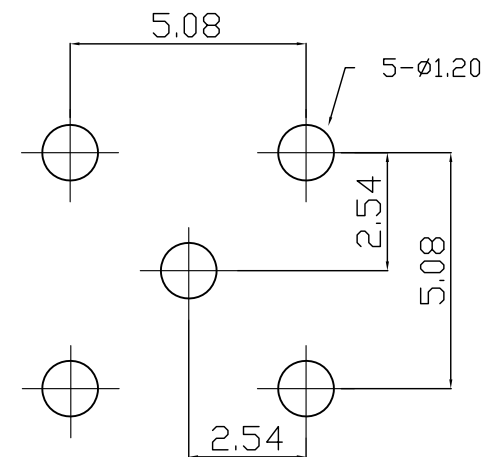
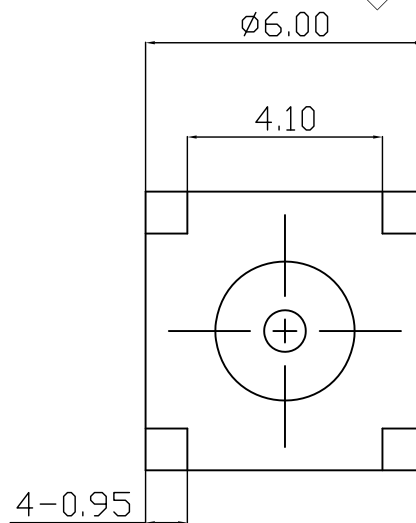
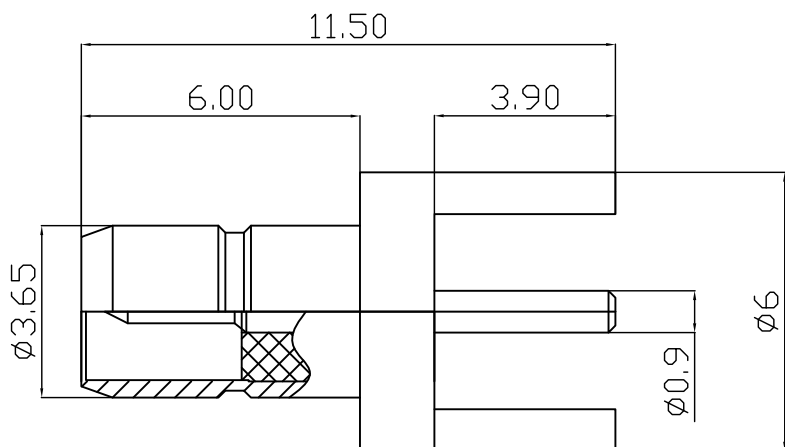
4

3

2

1

REV	EC No.	DESCRIPTION	Symbol	DATE
A	/	new release	/	Oct. 12, 2021



▨ SMT SOLDER AREA
▩ KEEP OUT AREA

RECOMMENDED PCB LAYOUT

TOLERANCE: ±0.05

NOTE:

1.MATERIAL:

INSULATOR: TEFLON
ASSEMBLE BODY: BRASS
PIN: BRASS

2.FINISH

PIN: 50u"Min NICKEL PLATING OVER ALL GOLD FLASH
BODY: 50U" MIN NICKEL PLATING OVER ALL GOLD FLASH

3.RATED PARAMETERS OF CONNECTOR

Operating temperature: -40°C to +125°C
Humidity: 95% R.H max (40°C±2°C)

4.ELECTRICAL MECHANICAL ENVIRONMENTAL

- 4-1.Dielectric withstanding Voltage: 750V
- 4-2.Insulation Resistance: 1000MΩ Min
- 4-3.Working Voltage: 500V AC
- 4-4.Impedence : 75Ω
- 4-5.Durability: 500cycles
- 4-6.Voltage standing-wave ratio: 1.20 MAX 0~6GHz

5.PACKAGE: TRAY, 100PCS/TRAY

MOQ: 3000pcs

For more information, please help to contact: connmold@foxmail.com, Tel.:18922965797

WWW.connmold.COM		ConnMold	
DIMENSION UNITS	TOLERANCE		
MM	X±0.50 .XX±0.25 .X±0.35 .XXX±0.15	PART NAME	SMB VERTICAL TYPE 75Ω 11.50MM HEIGHT
DRWN:Robert	Oct. 12, 2021	PART NUMBER	CMSMB661004
CHK'D:Yuri	Oct. 12, 2021	REVISION	A
APPR:Linda	Oct. 12, 2021	CUSTOMER	GENERAL MARKET
THIRD ANGLE PROJECTION	CUSTOMER P/N	SHEET NUMBER	1 OF 1
	/		

6

5

4

3

2

1