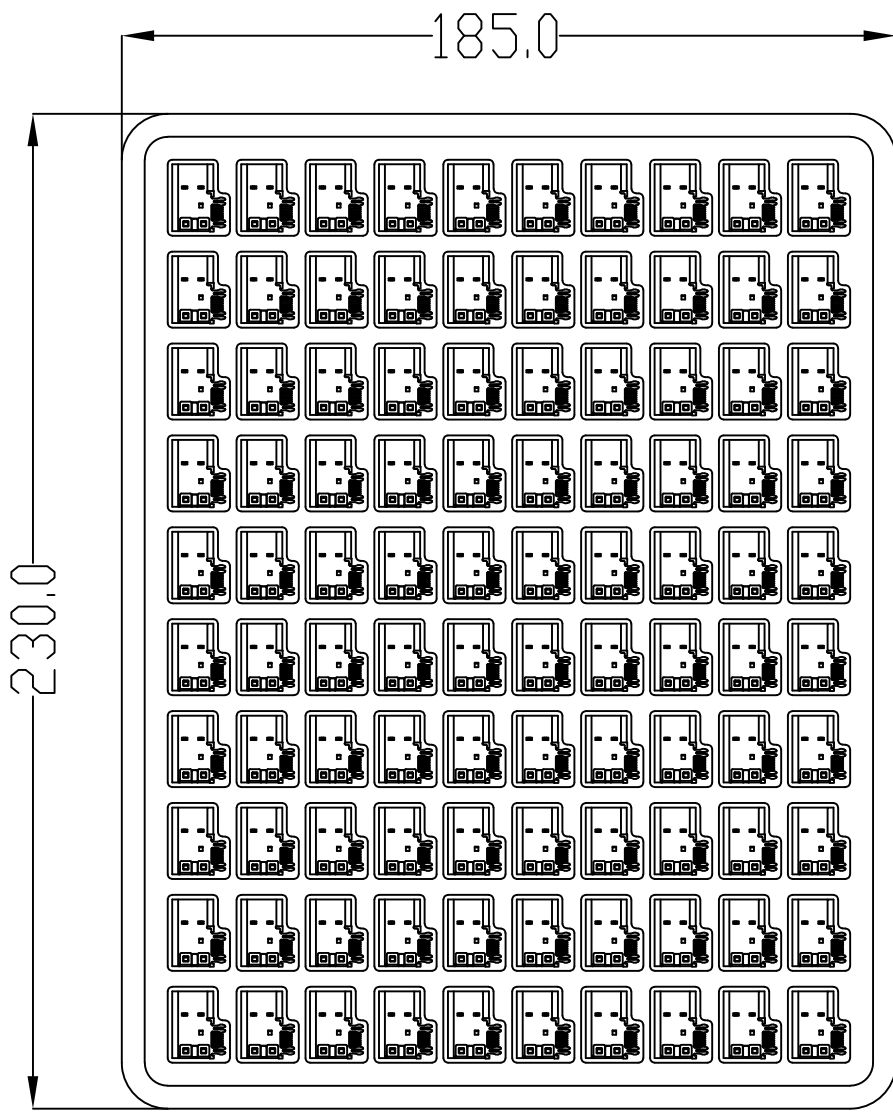
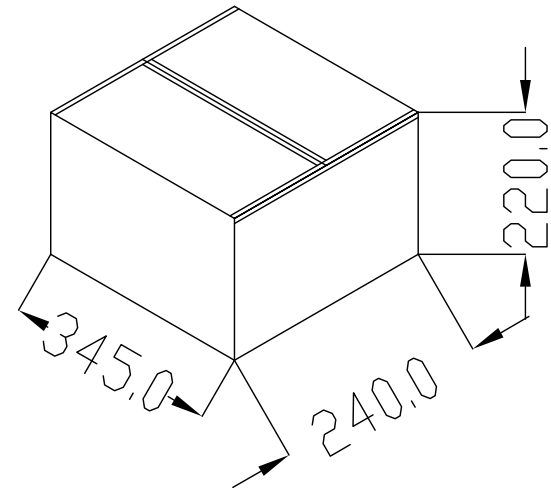
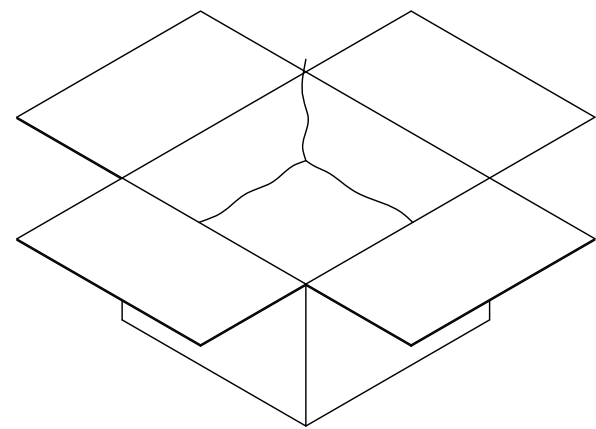


REV	EC No.	DESCRIPTION	Symbol	DATE
A	/	new release	/	Dec. 12, 2020



NOTE
 1. TRAY SIZE: 230*185*8.0MM; CARTON SIZE: 345*240*220MM
 2. 100PCS/TRAY, 1K/BUCKLE, 4K/CARTON

For more information, please help to contact: connmold@foxmail.com Tel.: 18922965797

WWW.CONNMOLD.COM		<h1>ConnMold</h1>	
DIMENSION UNITS	TOLERANCE		
MM	$X \pm 0.50$ $.XX \pm 0.25$ $.X \pm 0.35$ $.XXX \pm 0.15$	PART NAME USB TYPE C FEMALE 14P 9.04MM HEIGHT	
DRWN: Robert	Dec. 12, 2020	PART NUMBER	
CHK'D: Yuri	Dec. 12, 2020	CMUCF661023	REVISION A
APPR: Linda	Dec. 12, 2020	CUSTOMER	
THIRD ANGLE PROJECTION	CUSTOMER P/N	GENERAL MARKET	SHEET NUMBER
	/		2 OF 2