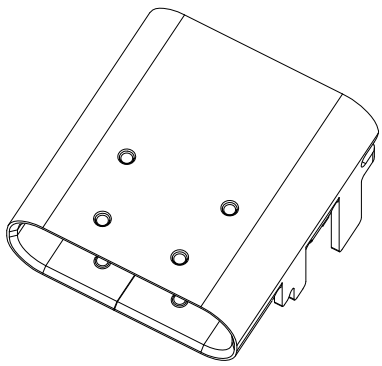
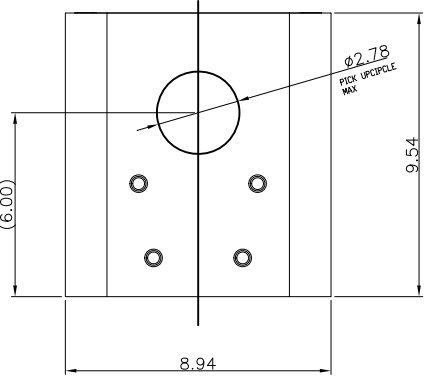


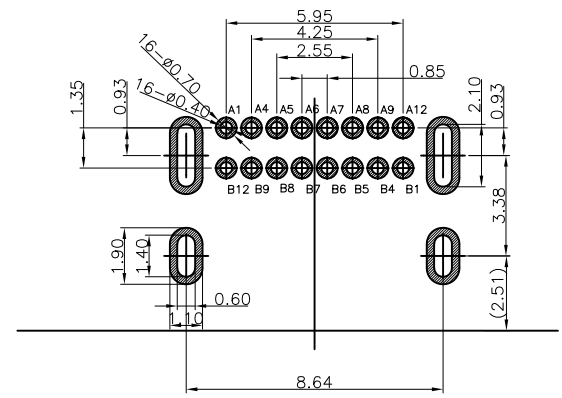
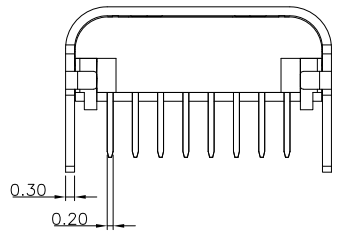
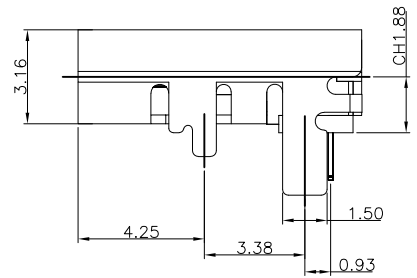
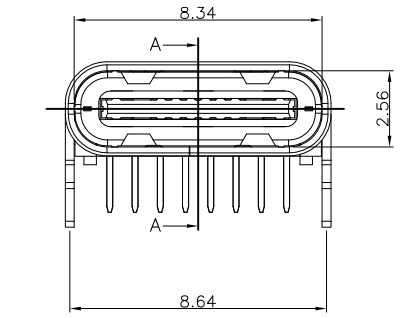
REV	EC No.	DESCRIPTION	Symbol	DATE
A	/	new release	/	Dec. 12, 2020



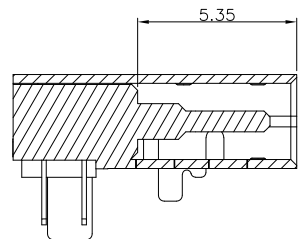
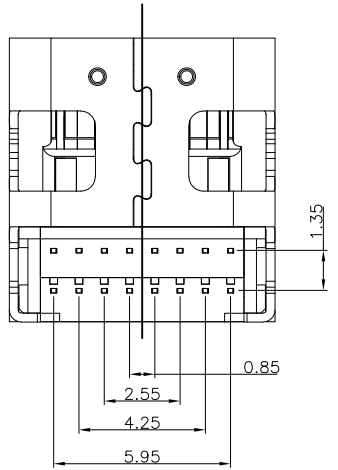
Pin	Signal Name	Description	Pin	Signal Name	Description
A1	GND	Ground return	B12	GND	Ground return
A2	SS1Tx1	Positive half of first SuperSpeed TX differential pair	B11	SSRx1	Negative half of first SuperSpeed RX differential pair
A3	SS1Tx2	Negative half of first SuperSpeed TX differential pair	B10	SSRx2	Positive half of first SuperSpeed RX differential pair
A4	Yes	Bus Power	B9	Yes	Bus Power
A5	CC1	Configuration Channel	B8	SB12	Sideband Use (SBU)
A6	Dn1	Positive half of the USB 2.0 differential pair-Position 1	B7	Dn2	Negative half of the USB 2.0 differential pair-Position 2
A7	Dp1	Negative half of the USB 2.0 differential pair-Position 1	B6	Dp2	Positive half of the USB 2.0 differential pair-Position 2
A8	SB11	Sideband Use (SBU)	B5		Configuration Channel
A9	Yes	Bus Power	B4	Yes	Bus Power
A10	SS2Tx2	Negative half of second SuperSpeed TX differential pair	B3	SS2Rx2	Negative half of second SuperSpeed RX differential pair
A11	SS2Tx1	Positive half of second SuperSpeed TX differential pair	B2	SS2Rx1	Positive half of second SuperSpeed RX differential pair
A12	GND	Ground return	B1	GND	Ground return

NOTES:

- MATERIAL:
MOLDING: LCP UL94 V-0
CONTACT: COPPER ALLOY.
GOLD PLATED Min ON CONTACT AREA, 100u"
Min TIN (LEAD FREE) ON SOLDER AREA,
SHELL: SUS304-H,T=0.30±0.03mm
50u" NICKEL PLATING OVER ALL.
MIDDLE SHILD: SUS304-H,T=0.20±0.03mm
- MECHANICAL:
INSERTION: 5~20N.
EXTRACTION: 8~20N AFTER TEST.
DURABILITY: 10000 CYCLES
- ELECTRICAL:
CURRENT: 5A FOR VBUS;
1.25A FOR GND PIN.
0.25A FOR OTHER.
VOLTAGE: 20 V MAX
WITHSTANDING VOLTAGE: 100V AC R.M.S.
CONTACT RESISTANCE: 40mΩ MAX.
INSULATION RESISTANCE: 100MΩ MIN.
- ENVIRONMENTAL
TEMPERATURE RANGE -40°C ~ +85°C



RECOMMEND P.C.B LAYOUT (COMPONENT SIDE)
TOLERANCE FOR PCB LAYOUT IS ± 0.05



SECTION A-A

For more information, please help to contact: connmold@foxmail.com Tel.:18922965797

WWW.connmold.COM		<h1>ConnMold</h1>	
DIMENSION UNITS	TOLERANCE		
MM	X±0.50 .XX±0.25 .X±0.35 .XXX±0.15	PART NAME	USB TYPE C FEMALE 16P 3.16MM HEIGHT
DRWN:Robert	Dec.12,2020	PART NUMBER	CMUCF661025
CHK'D:Yuri	Dec.12,2020	REVISION	A
APPR:Linda	Dec.12,2020	CUSTOMER	GENERAL MARKET
THIRD ANGLE PROJECTION	CUSTOMER P/N	SHEET NUMBER	1 OF 3
	/		