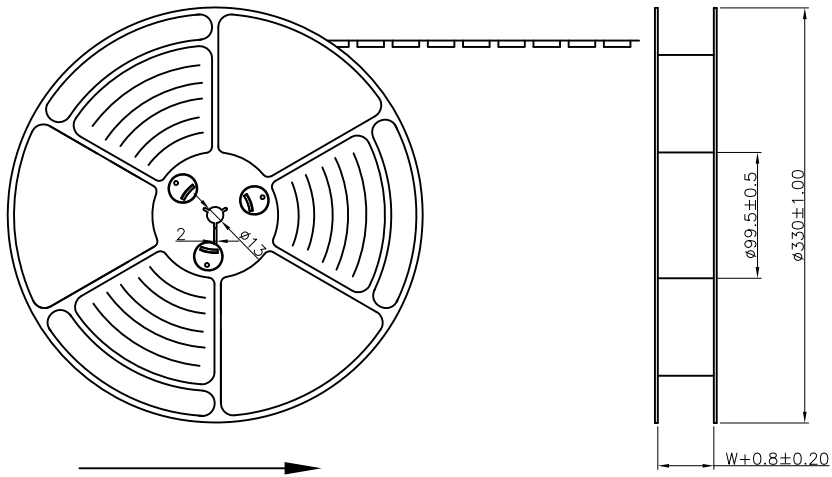


6 5 4 3 2 1



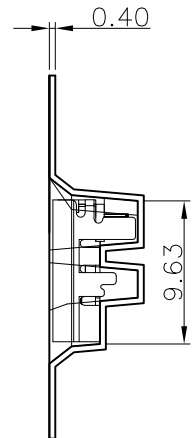
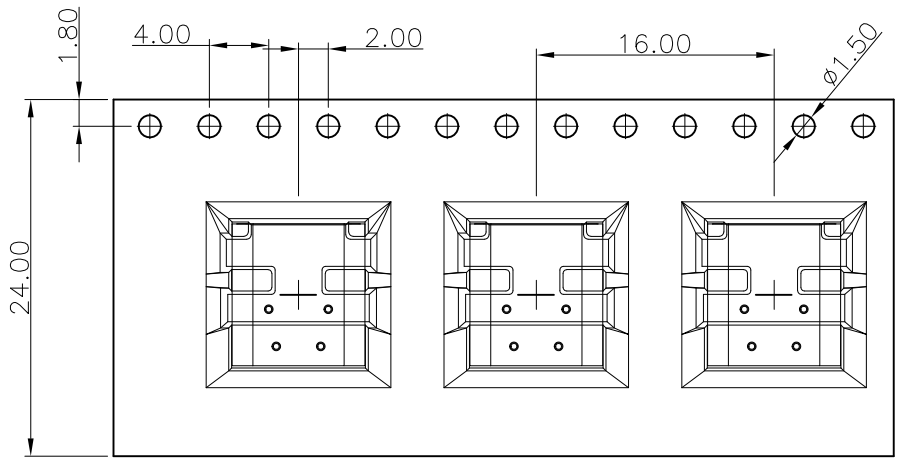
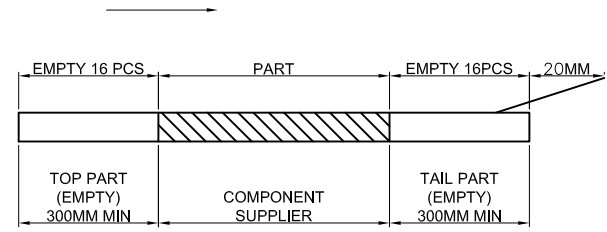
REV	EC No.	DESCRIPTION	Symbol	DATE
A	/	new release	/	Dec. 12, 2020

出料方向
PULL OUT DIRECTEON

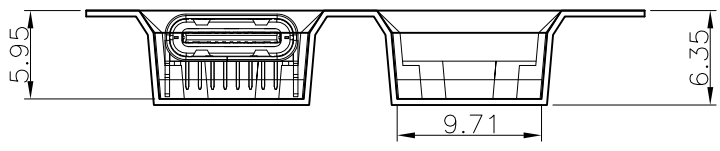
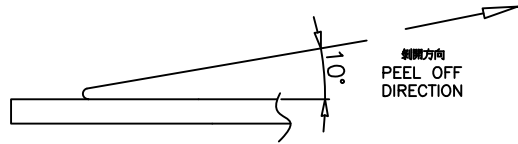


NOTES

- 1.帶子引導長度
LEAD TAPE LENGTH
出料方向
PULL OUT DIRECTEON



- 2.上帶 剝力力為: 0.1~1.3N (10.2gf~130gf)
PEELING OFF FORCE OF TOP TAPE: 0.1~1.3N (10.2gf~130gf)
出貨運輸過程中一定注意:
THIS REQUIREMENT SHOULD BE APPLIED AT SHIPMENT:
卷帶在運輸過程中不能散開
PEELING OFF SHOULD NOT BE ALLOWED DURING TRANSPORTATION



載帶卷料方向

For more information, please help to contact: connmold@foxmail.com Tel.:18922965797

WWW.CONNMOLD.COM		ConnMold	
DIMENSION UNITS	TOLERANCE		
MM	X±0.50 .XX±0.25 .X±0.35 .XXX±0.15	PART NAME	USB TYPE C FEMALE 16P 3.16MM HEIGHT
DRWN:Robert	Dec.12,2020	PART NUMBER	CMUCF661025
CHK'D:Yuri	Dec.12,2020	REVISION	A
APPR:Linda	Dec.12,2020	CUSTOMER	GENERAL MARKET
THIRD ANGLE PROJECTION	CUSTOMER P/N	SHEET NUMBER	2 OF 3
	/		

6 5 4 3 2 1

6

5

4

3

2

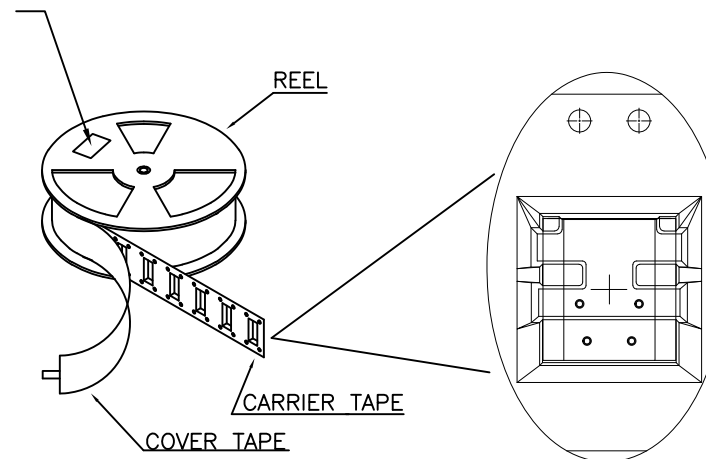
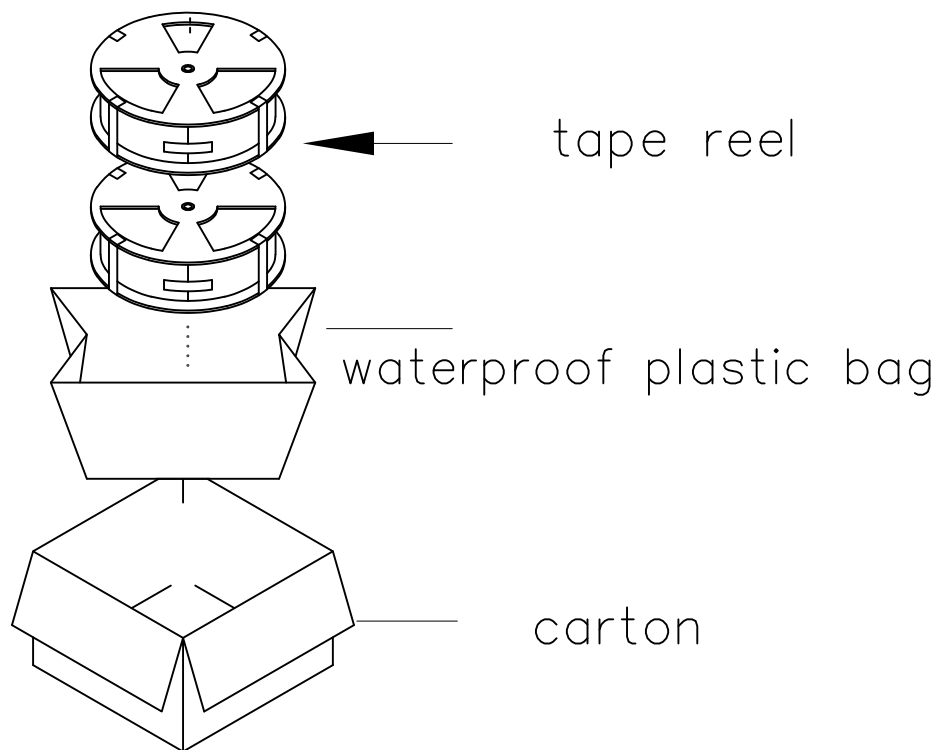
1

REV	EC No.	DESCRIPTION	Symbol	DATE
A	/	new release	/	Dec. 12, 2020



at small positioning hole of the carrier tape side).

Location of label sticking (label



NOTE:

- 1.每捲包裝數量及每箱裝箱數量如左下表格。
- 2.以上膠帶覆蓋下包裝帶經包裝機冷封包裝
- 3.每個紙箱放2個珍珠棉
- 4.將裝滿產品的卷盤放入紙箱并以膠帶封口
- 5.PACKAGE: TAPE REEL, 700PCS/REEL, 7000PCS/CARTON

For more information, please help to contact: connmold@foxmail.com

Tel.:18922965797

WWW.CONNMOLD.COM		ConnMold	
DIMENSION UNITS	TOLERANCE		
MM	X±0.50 .XX±0.25 .X±0.35 .XXX±0.15	PART NAME	USB TYPE C FEMALE 16P 3.16MM HEIGHT
DRWN:Robert	Dec.12,2020	PART NUMBER	CMUCF661025
CHK'D:Yuri	Dec.12,2020	REVISION	A
APPR:Linda	Dec.12,2020	CUSTOMER	GENERAL MARKET
THIRD ANGLE PROJECTION	CUSTOMER P/N	SHEET NUMBER	3 OF 3
	/		

6

5

4

3

2

1