

6

5

4

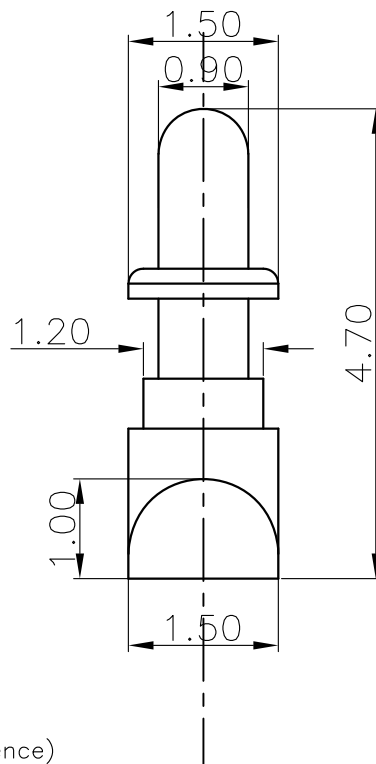
3

2

1



REV	EC No.	DESCRIPTION	Symbol	DATE
A	/	new release	/	Sep. 12, 2021



NOTE;

1. Material
Brass C3604
2. Plating
10 microinch Min. Au over 50~100 microinch Ni
3. Electrical
Rated current & voltage: DC 12V; 2A Max.
Contact resistance: 50 Ω Max. at working height(quiescence)
4. Mechanical
Durability: 10,000 cycles(minimum)
5. this one is customized, for wire customer
6. RoHS and HF compliant.

For more information, please feel free to contact Neal. His email is :connmold@foxmail.com Tel:18922965797

WWW.connmold.COM

DIMENSION UNITS

MM

TOLERANCE

X \pm 0.50 .XX \pm 0.25
.X \pm 0.35 .XXX \pm 0.15

ConnMold

PART NAME POGO PIN 1 PIN MALE TYPE
4.70MM

DRWN:Robert

Sep. 12, 2021

CHK'D:Yuri

Sep. 12, 2021

APPR:Lee

Sep. 12, 2021

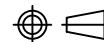
PART NUMBER

CMPGP661011

REVISION

A

THIRD ANGLE PROJECTION



CUSTOMER P/N

/

CUSTOMER

GENERAL MARKET

SHEET NUMBER

1 OF 1

6

5

4

3

2

1