

6

5

4

3

2

1



REV	EC No.	DESCRIPTION	Symbol	DATE
A	/	new release	/	Sep. 12, 2021

Note:

-Material and coating conform to ROHS and REACH standards

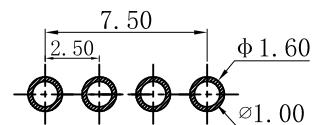
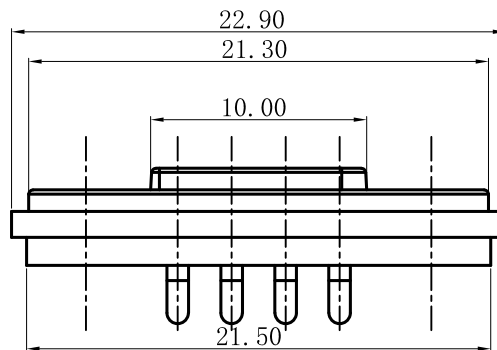
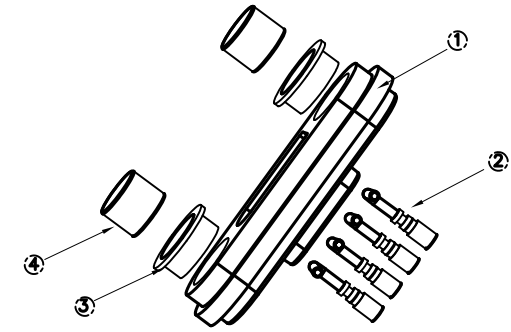
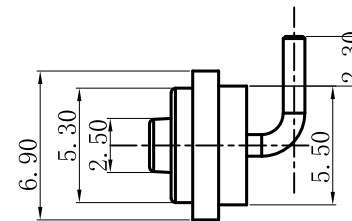
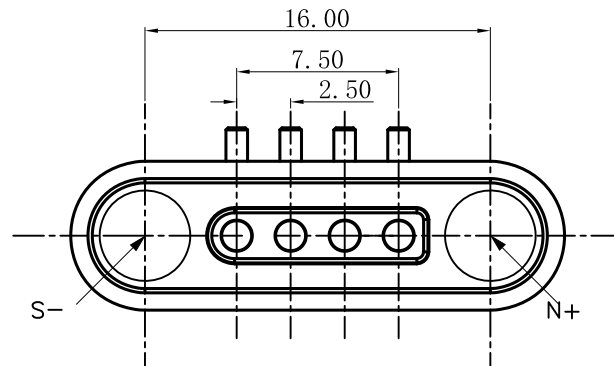
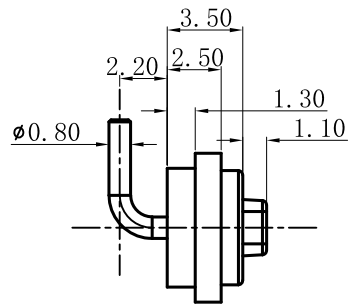
Electrical:

-Rated voltage: DC 12V ; Rated voltage: 5A Max.

-Contact resistance of spring pin : 50 milliohm Max.

-Magnetic force test: 400g±20% while mating

-This product is molding type, has good waterproof and dustproof performance, the protection level is IP68



SOLDER PAD

RECOMMENDED PCB LAYOUT (TOP VIEW)

THICKNESS T=1.0mm
TOLERANCE: ±0.05

④	magnetic	N52 Ni plating 60-100u"	Nickel
③	Barrel	copper Ni plating 60-100u"	Nickel
②	pogo pin	pin copper alloy 5u" Au	Gold
①	housing	Nylon HTN UL94 V-0	Black
NO.	Part	Spec.	Color

For more information, please feel free to contact Neal. His email is :connmold@foxmail.com Tel:18922965797

WWW.CONNMOLD.COM

DIMENSION UNITS

MM

TOLERANCE

X±0.50 .XX±0.25
.X±0.35 .XXX±0.15

DRWN:Robert

Sep. 12, 2021

CHK'D:Yuri

Sep. 12, 2021

APPR:Lee

Sep. 12, 2021

THIRD ANGLE PROJECTION



CUSTOMER P/N

/

ConnMold

PART NAME POGO PIN 4PIN FEMALE 5.20MM
MAGNETIC R/A TYPE

PART NUMBER

CMPGF661002

REVISION

A

CUSTOMER

GENERAL MARKET

SHEET NUMBER

1 OF 1

6

5

4

3

2

1