

6

5

4

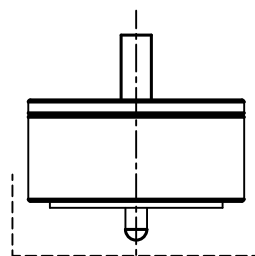
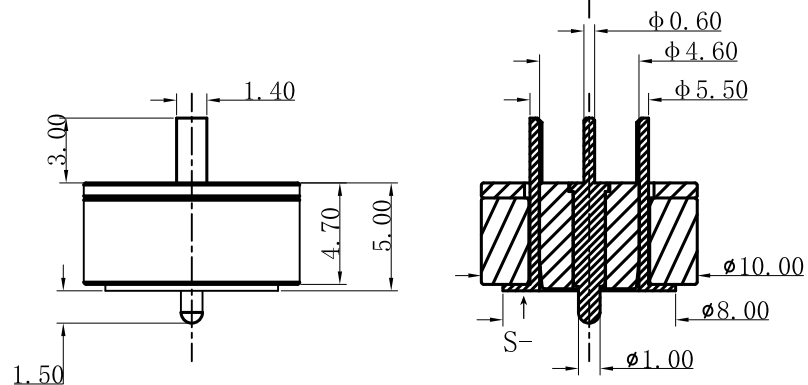
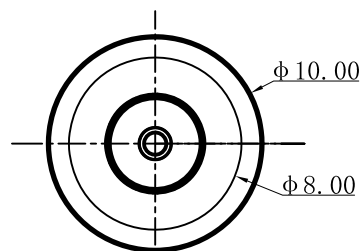
3

2

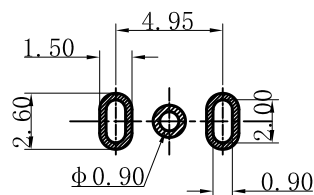
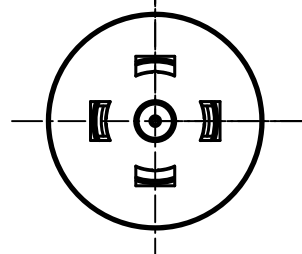
1



REV	EC No.	DESCRIPTION	Symbol	DATE
A	/	new release	/	Sep. 12, 2021



top surface, no burr



■: SOLDER PAD

RECOMMENDED PCB LAYOUT (TOP VIEW)

THICKNESS T=1.0mm
TOLERANCE: ± 0.05

Note:

-Material and coating conform to ROHS and REACH standards

Mechanical:

-Contact force: $80g \pm 20g$ at 1.1mm working stroke

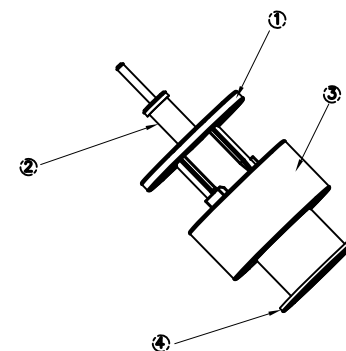
-Life test: 10,000 cycles

-Adsorption capacity test: The parent docking adsorption is $600g \pm 20\%$

Electrical:

-Rated voltage: DC 12V ; Rated voltage: 3A Max.

-Contact resistance of spring pin : 50 milliohm Max.



④	Barrel	copper Ni plating 60-100u"	Nickel
③	magnetic spring	N35 Ni plating 60-100u" Sus304 Au plating 1u"	Nickel Gold
②	Plug	copper Au plating 5u"	Gold
	Barrel	copper Au plating 5u"	Gold
①	housing	Nylon HTN UL94 V-0	Black
NO.	Part	Spec.	Color

For more information, please feel free to contact Neal. His email is :connmold@foxmail.com Tel:18922965797

WWW.connmold.COM		<h1>ConnMold</h1>	
DIMENSION UNITS	TOLERANCE		
MM	X ± 0.50 .XX ± 0.25 .X ± 0.35 .XXX ± 0.15	PART NAME POGO PIN 1PIN MALE 5.00MM MAGNETIC VERTICAL TYPE	
DRWN:Robert	Sep. 12, 2021	PART NUMBER CMPGP661003	
CHK'D:Yuri	Sep. 12, 2021	REVISION A	
APPR:Lee	Sep. 12, 2021	SHEET NUMBER 1 OF 1	
THIRD ANGLE PROJECTION	CUSTOMER P/N	CUSTOMER	
	/	GENERAL MARKET	

6

5

4

3

2

1