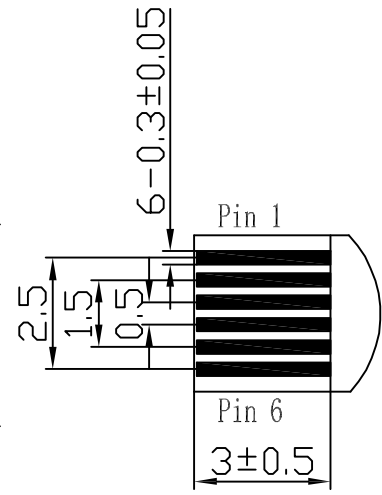
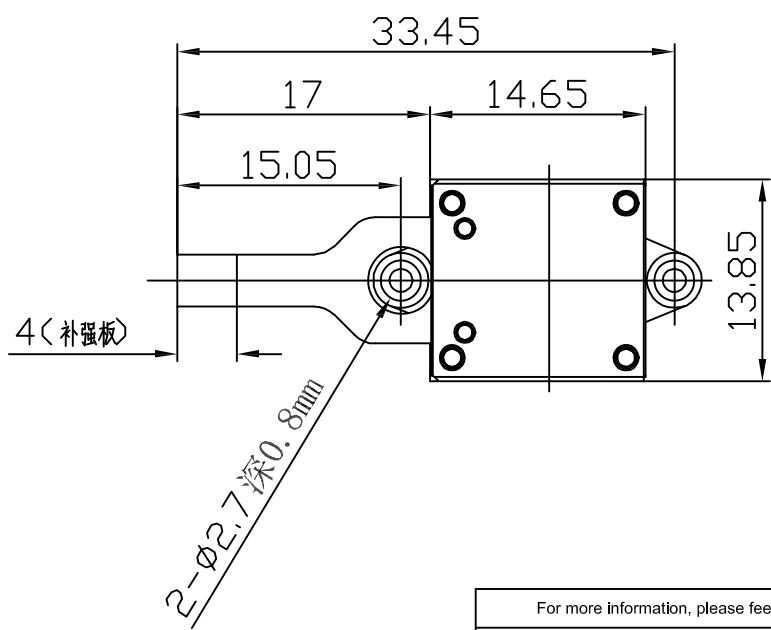
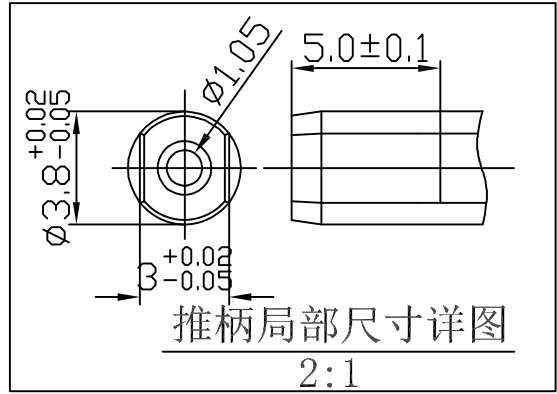
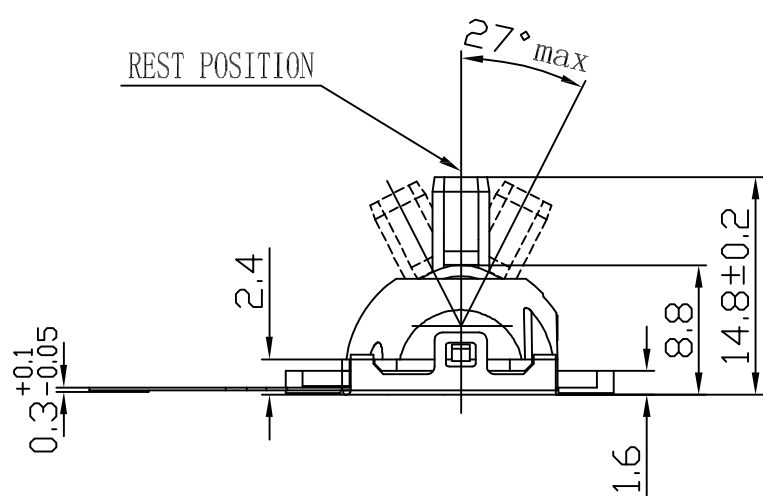
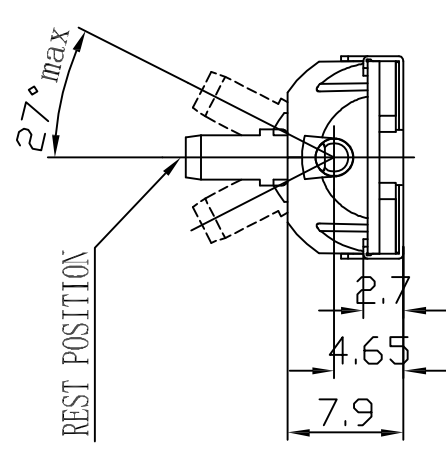
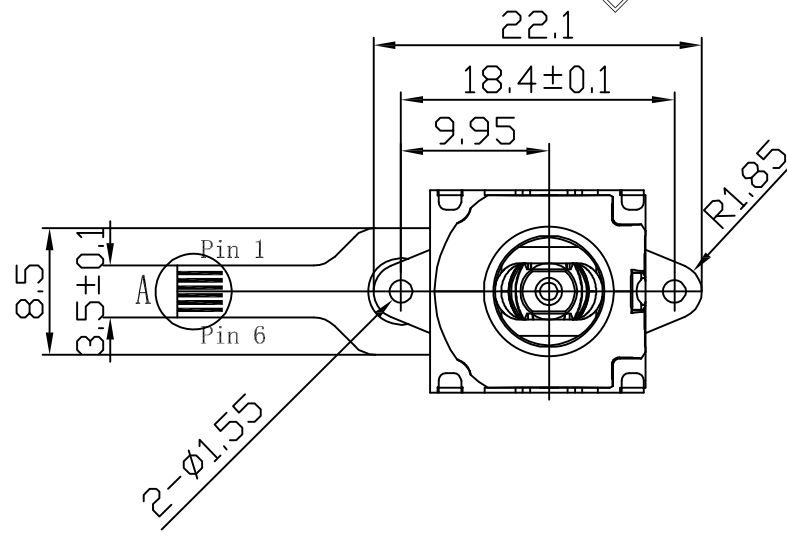


REV	EC No.	DESCRIPTION	Symbol	DATE
A	/	new release	/	Sep. 12, 2021



- Pin 1(空)
- Pin 2(SDA)
- Pin 3(Switch)
- Pin 4(GND)
- Pin 5(VDD 3.3V)
- Pin 6(SCL)

DETAIL A
3:1

CIRCUIT

TOLERANCE
Dimension:
Less than 10:±0.30
10~30:±0.50
30~100:±1.00
Angle:±5°

For more information, please feel free to contact Neal. His email is :connmold@foxmail.com Tel:18922965797			
WWW.connmold.COM		<h1>ConnMold</h1>	
DIMENSION UNITS	TOLERANCE		
MM	X±0.50 .XX±0.25 .X±0.35 .XX±0.15	PART NAME	POTENTIOMETER
DRWN:Robert	Sep. 12, 2021	13.85mm*14.65mm*8.8mm TYPE	
CHK'D:Yuri	Sep. 12, 2021	PART NUMBER	REVISION
APPR:Lee	Sep. 12, 2021	CMPTM661002	A
THIRD ANGLE PROJECTION	CUSTOMER P/N	CUSTOMER	SHEET NUMBER
	/	GENERAL MARKET	1 OF 1