

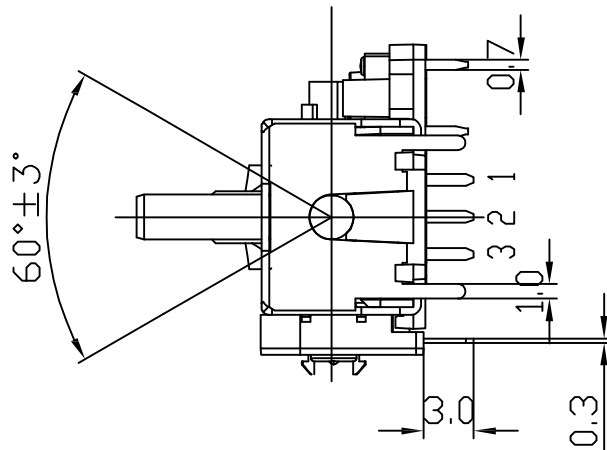
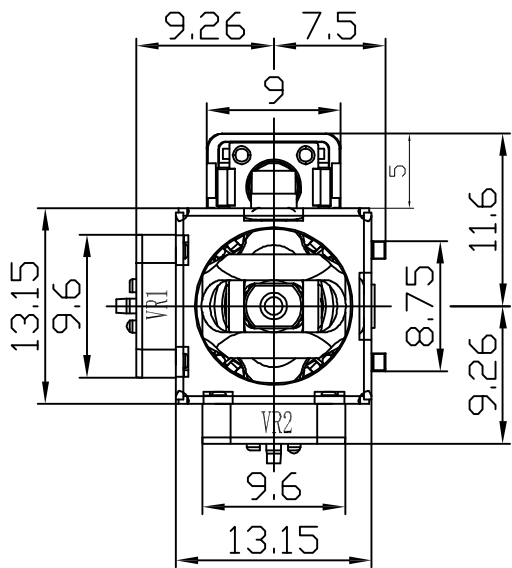
D

C

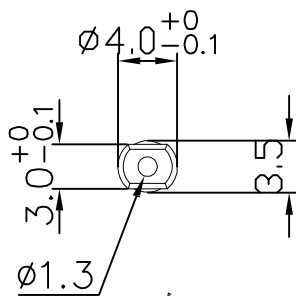
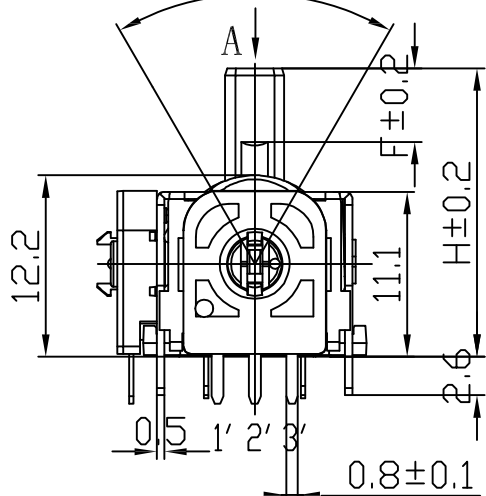
B

A

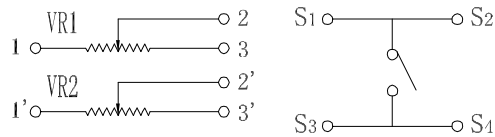
| REV | EC No. | DESCRIPTION | Symbol | DATE          |
|-----|--------|-------------|--------|---------------|
| A   | /      | new release | /      | Sep. 12, 2021 |
|     |        |             |        |               |



60°±3°

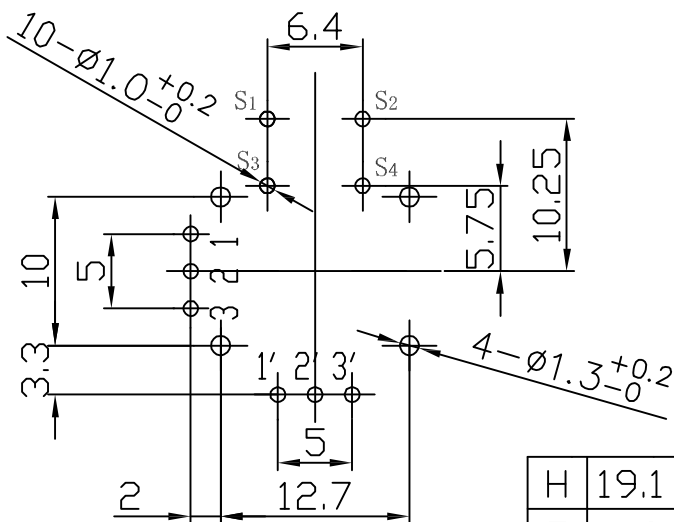


A向  
1:1



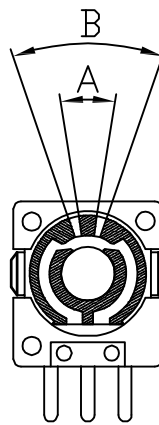
CIRCUIT:VR

CIRCUIT:SW



PCB板尺寸

|   |      |      |
|---|------|------|
| H | 19.1 | 19.5 |
| F | 4.6  | 5.0  |



| A(银抽头角度)±2° |     |  |
|-------------|-----|--|
| 0°          | 6°  |  |
| 7°          | 8°  |  |
| 9°          | 10° |  |
| B(碳有效角度)±2° |     |  |
| 22°         | 26° |  |
| 32°         | 34° |  |
| 35°         | 38° |  |
| 45°         | 50° |  |
| 55°         | 60° |  |

电阻印刷角度

For more information, please feel free to contact Neal. His email is :connmold@foxmail.com Tel:18922965797

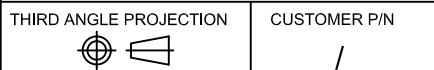
WWW.CONNMOLD.COM

| DIMENSION UNITS | TOLERANCE                            |
|-----------------|--------------------------------------|
| MM              | X±0.50 .XX±0.25<br>.X±0.35 .XXX±0.15 |

DRWN:Robert Sep. 12, 2021

CHK'D:Yuri Sep. 12, 2021

APPR:Lee Sep. 12, 2021



CUSTOMER P/N  
/

# ConnMold

PART NAME POTENTIOMETER with Switch  
13.15mm\*13.15mm\*19.5mm TYPE

PART NUMBER CMPTM661003 REVISION A

CUSTOMER GENERAL MARKET SHEET NUMBER 1 OF 1

| TOLERANCE  |
|--|
| Dimension:<br>Less than 10:±0.30<br>10~30:±0.50<br>30~100:±1.00<br>Angle:±5° |

D

C

B

A