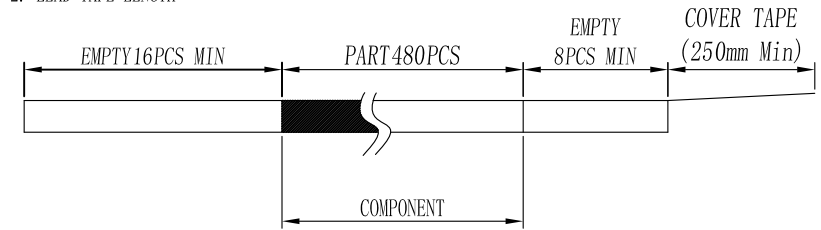




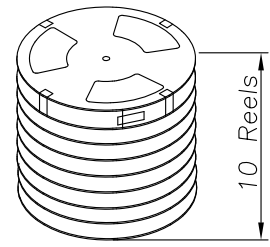
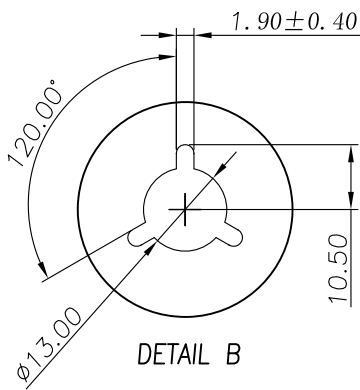
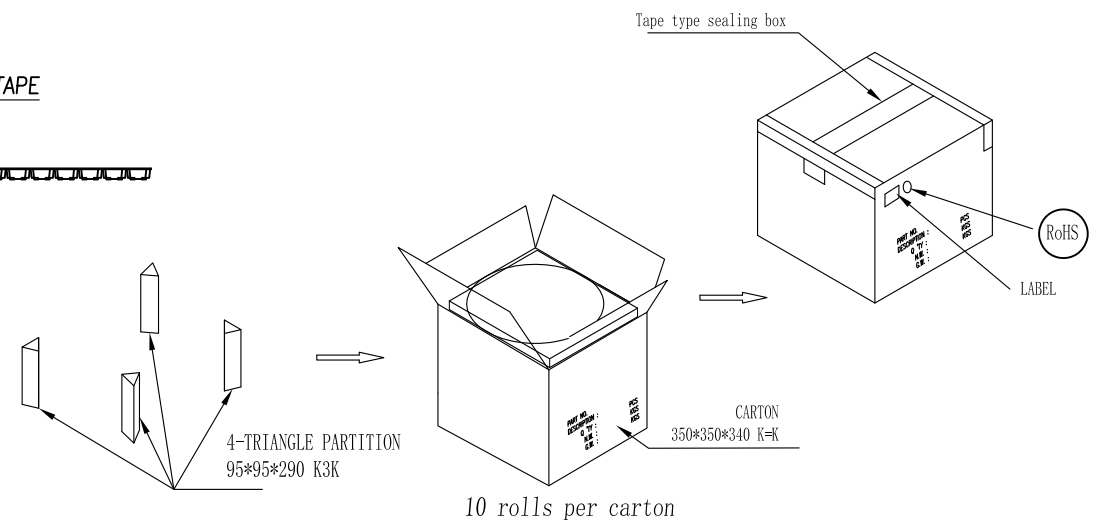
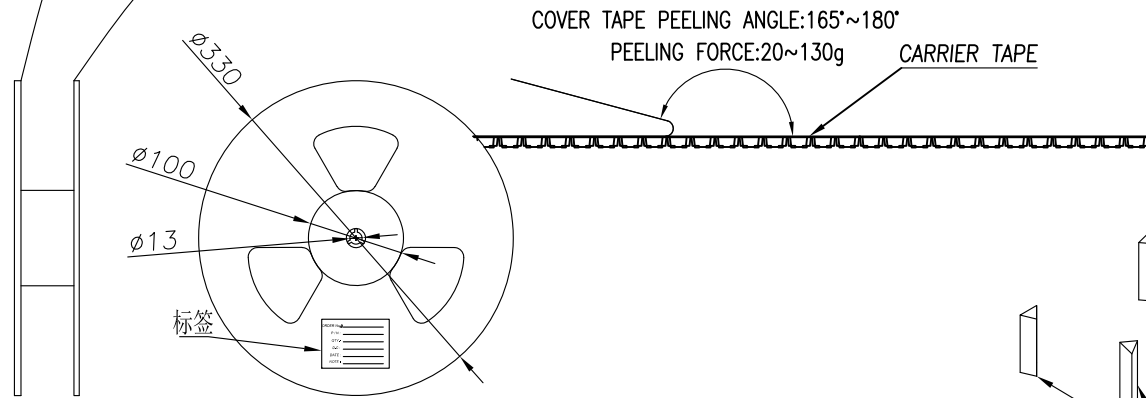
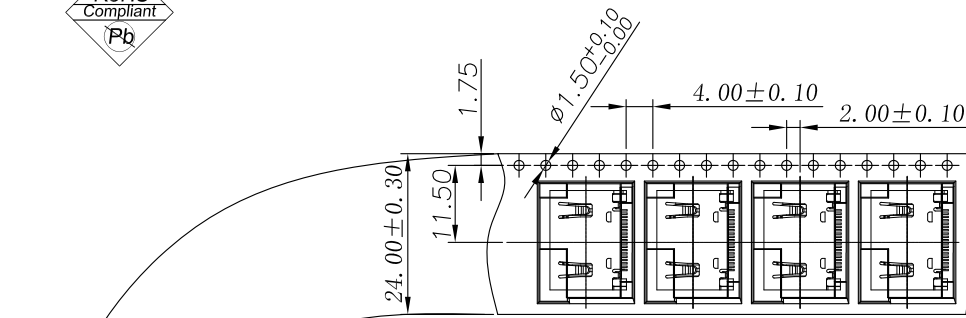
REV	EC No.	DESCRIPTION	Symbol	DATE
A	/	new release	/	Oct. 12, 2021

NOTES

1. NUMBER OF CONNECTORS: 480PCS/REEL
2. LEAD TAPE LENGTH



3. QUANTITY: 4800PCS/CARTON



For more information, please help to contact: connmold@foxmail.com, Tel.: 18922965797				
WWW.CONNMOLD.COM		<h1>ConnMold</h1>		
DIMENSION UNITS	TOLERANCE			
MM	X±0.50 .XX±0.25 .X±0.35 .XXX±0.15	PART NAME HDMI A SMT TYPE		
DRWN: Robert	Oct. 12, 2021	2. 20MM COPPER SHELL		
CHK'D: Yuri	Oct. 12, 2021	PART NUMBER		REVISION
APPR: Linda	Oct. 12, 2021	CMHMF661006		A
THIRD ANGLE PROJECTION	CUSTOMER P/N	CUSTOMER		SHEET NUMBER
	/	GENERAL MARKET		2 OF 2