

6

5

4

3

2

1



REV	EC No.	DESCRIPTION	Symbol	DATE
A	/	new release	/	Mar. 12, 2018

NOTES :

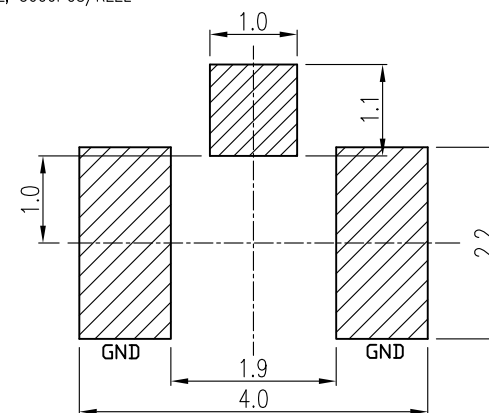
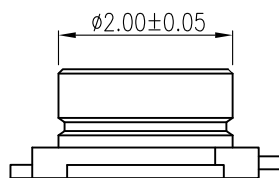
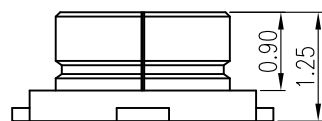
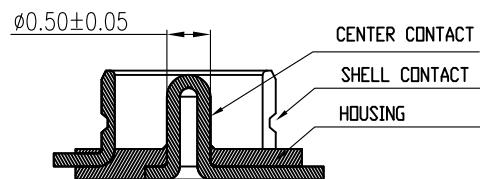
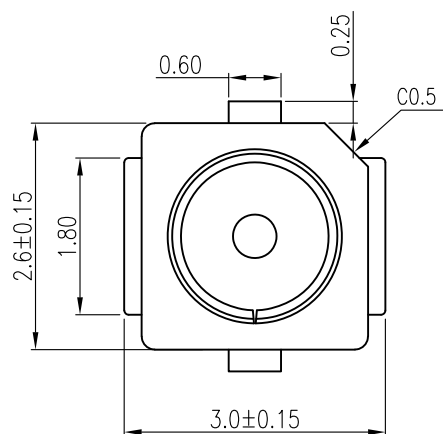
## 1.0. RATING :

- 1.1. VOLTAGE :60 VAC (R.M.S.)
- 1.2. NOMINAL CHARACTERISTIC IMPEDANCE: 50 Ohm
- 1.3. APPLICABLE FREQUENCY: DC ~ 6GHz
- 1.4. VSWR: 1.3 MAX. (DC~3GHz), 1.5 MAX. (3~6GHz)
- 1.5. TEMPERATURE : -40°C TO +85°C
- 1.6. APPLIED TO IR SOLDERING PROCESS

## 2.0. MATERIAL :

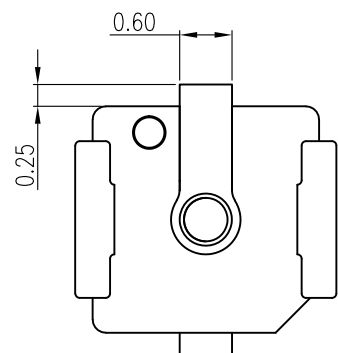
- 2.1. HOUSING: THERMOPLASTIC, UL94V-0, WHITE
- 2.2. CENTER CONTACT : COPPER ALLOY. GOLD FLASH OVERALL
- 2.3. SHELL CONTACT: COPPER ALLOY. GOLD FLASH OVERALL

## 3.0. PACKAGE : TAPE REEL, 5000PCS/REEL



RECOMMENDED PCB LAYOUT

(TOLERANCE: ±0.05)



For more information, please feel free to contact Neal. His email is :connmold@foxmail.com Tel:18922965797

WWW.CONNMOLD.COM

DIMENSION UNITS TOLERANCE

MM

X±0.50	.XX±0.25
.X±0.35	.XXX±0.15

ConnMold

PART NAME RF Connector I  
3 PAD

DRWN:Robert

Mar. 12, 2018

CHK'D:Yuri

Mar. 12, 2018

APPR:Lee

Mar. 12, 2018

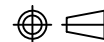
PART NUMBER

CMRFA661001

REVISION

A

THIRD ANGLE PROJECTION



CUSTOMER P/N

/

CUSTOMER

GENERAL MARKET

SHEET NUMBER

1 OF 2

6

5

4

3

2

1