

6

5

4

3

2

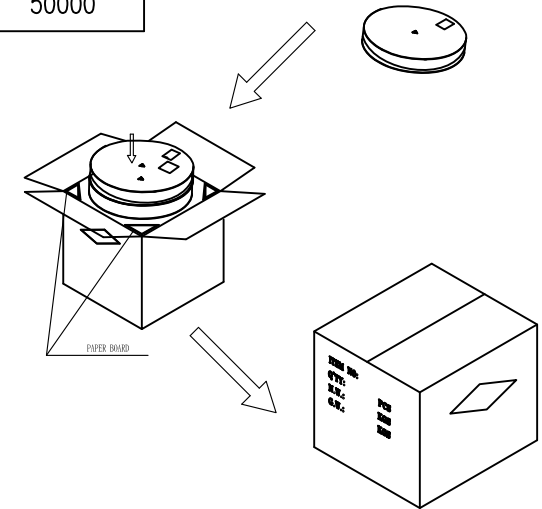
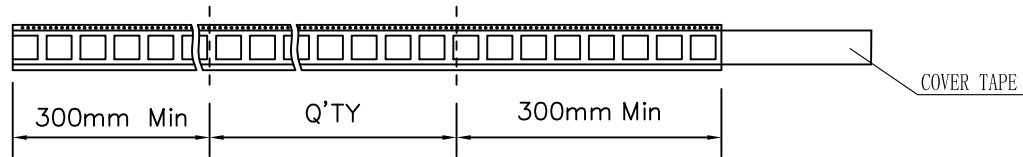
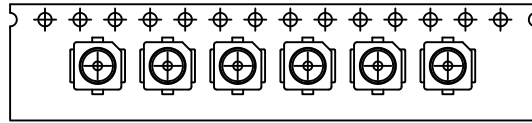
1



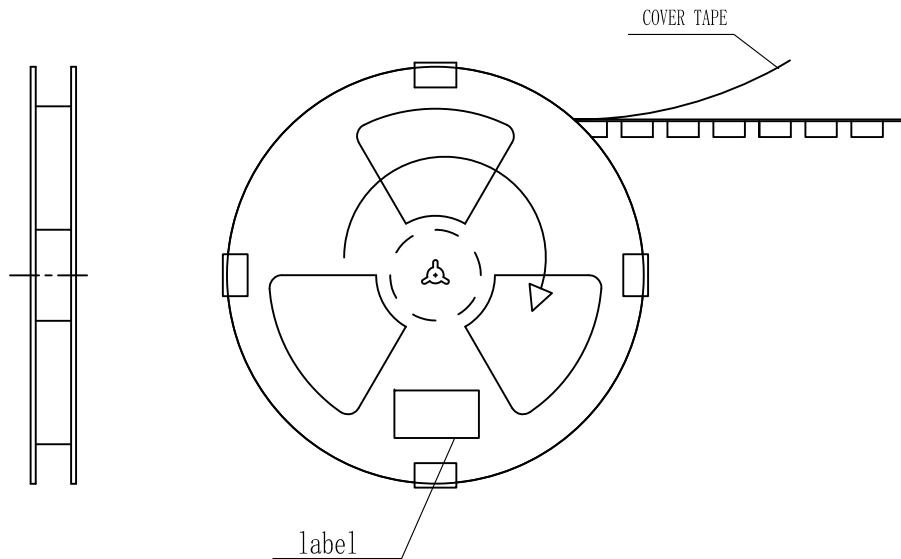
REV	EC No.	DESCRIPTION	Symbol	DATE
A	/	new release	/	Mar.12, 2018

<TABLE 1> PACKAGING QUANTITY

QTY/REEL	REEL/CARTON	QTY/CARTON
5000	10	50000



1. TAPE REEL PACKAGE, 5000PCS/REEL
2. CARTON SIZE:200MM\*200MM\*180MM
3. 50000PCS/CARTON



For more information, please feel free to contact Neal. His email is :connmold@foxmail.com Tel:18922965797

WWW.connmold.COM		<b>ConnMold</b>	
DIMENSION UNITS	TOLERANCE		
MM	X±0.50 .XX±0.25 .X±0.35 .XXX±0.15	PART NAME	RF CONNECTOR I 3 PAD
DRWN:Robert	Mar 12,2018	PART NUMBER	CMRFA661001
CHK'D:Yuri	Mar 12,2018	REVISION	A
APPR:Linda	Mar 12,2018	CUSTOMER	GENERAL MARKET
THIRD ANGLE PROJECTION	CUSTOMER P/N	SHEET NUMBER	
	/	2 OF 2	

6

5

4

3

2

1