

6

5

4

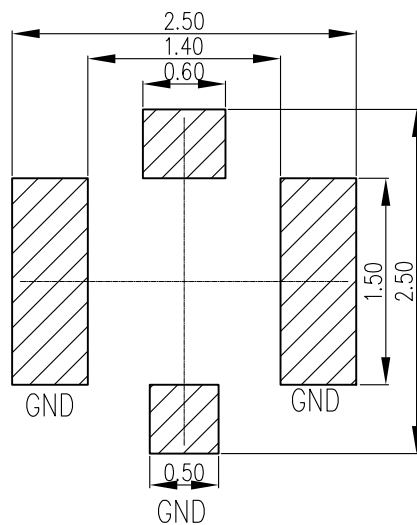
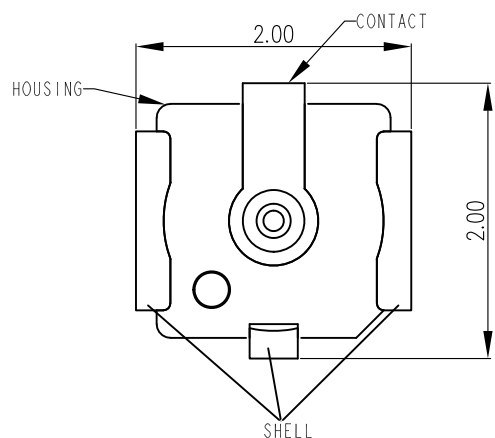
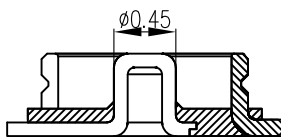
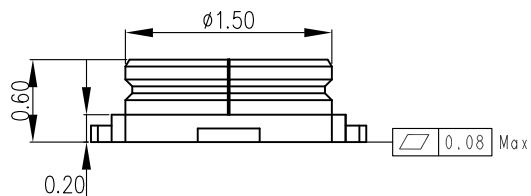
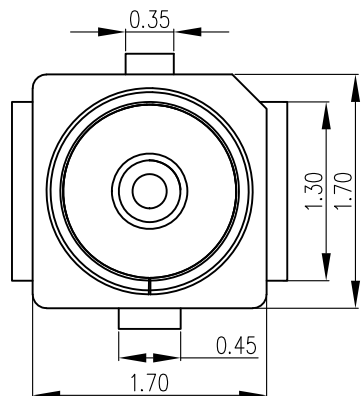
3

2

1



REV	EC No.	DESCRIPTION	Symbol	DATE
A	/	new release	/	Mar. 12, 2018



RECOMMENDED PCB LAYOUT
(TOLERANCE:±0.05)

NOTES :

1.0. RATING :

- 1.1. VOLTAGE :60 VAC (R.M.S.)
- 1.2. NOMINAL CHARACTERISTIC IMPEDANCE: 50 Ohm
- 1.3. APPLICABLE FREQUENCY: DC ~ 6GHz
- 1.4. VSWR: 1.3 MAX. (DC~3GHz), 1.5 MAX. (3~6GHz)
- 1.5. TEMPERATURE : -40°C TO +85°C
- 1.6. APPLIED TO IR SOLDERING PROCESS

2.0. MATERIAL :

- 2.1.HOUSING: THERMOPLASTIC,UL94V-0,BLACK
- 2.2.CENTER CONTACT : COPPER ALLOY. GOLD FLASH OVERALL
- 2.3.SHELL CONTACT: COPPER ALLOY. GOLD FLASH OVERALL

3.0. PACKAGE : TAPE REEL, 3000PCS/REEL

FULLY COMPATIBLE WITH IPEX 20449-001E

FULLY COMPATIBLE WITH FOXCONN KK12011-02-7H

For more information, please feel free to contact Neal. His email is :connmold@foxmail.com Tel:18922965797

WWW.connmold.COM		<h1>ConnMold</h1>	
DIMENSION UNITS	TOLERANCE		
MM	X±0.50 .XX±0.25 .X±0.35 .XXX±0.15	PART NUMBER	
DRWN:Robert	Mar. 12, 2018	CMRFA661004	
CHK'D:Yuri	Mar. 12, 2018	REVISION	
APPR:Lee	Mar. 12, 2018	A	
THIRD ANGLE PROJECTION	CUSTOMER P/N	CUSTOMER	SHEET NUMBER
	/	GENERAL MARKET	1 OF 2

6

5

4

3

2

1