

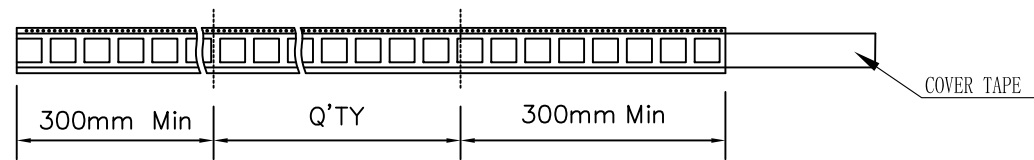
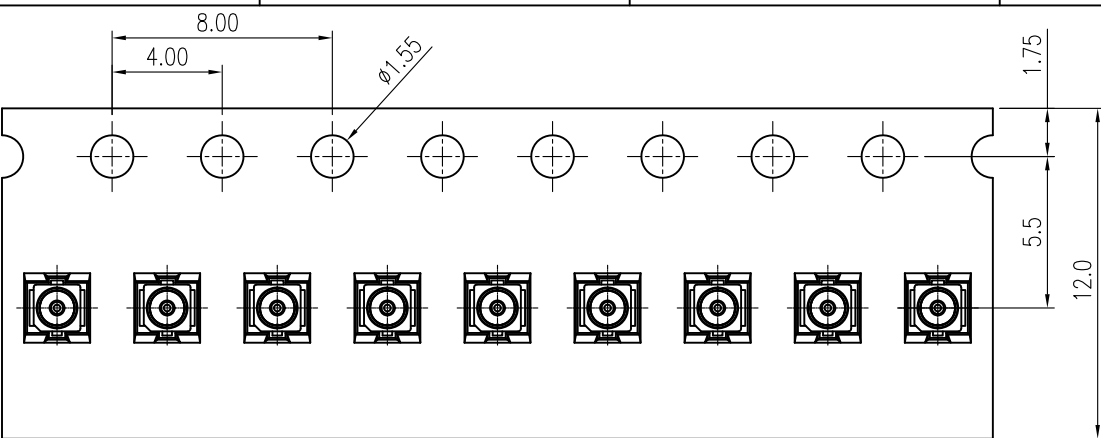
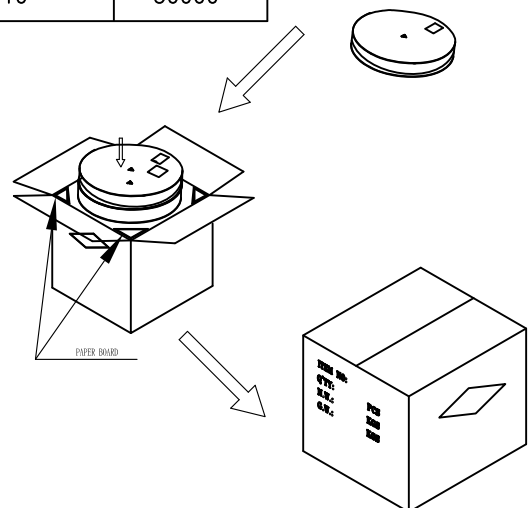
6 5 4 3 2 1



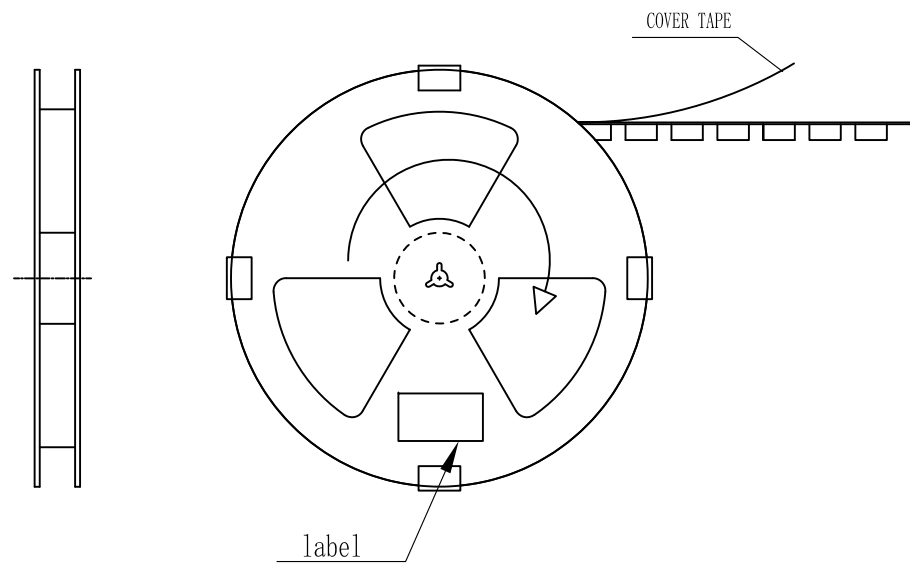
REV	EC No.	DESCRIPTION	Symbol	DATE
A	/	new release	/	Mar.12, 2018

<TABLE 1> PACKAGING QUANTITY

QTY/REEL	REEL/CARTON	QTY/CARTON
3000	10	30000



1. TAPE REEL PACKAGE, 1000PCS/REEL
2. CARTON SIZE: 190MM*190MM*190MM
3. 30000PCS/CARTON



For more information, please feel free to contact Neal. His email is :connmold@foxmail.com Tel:18922965797

WWW.connmold.COM		<h1>ConnMold</h1>	
DIMENSION UNITS	TOLERANCE		
MM	X±0.50 .XX±0.25 .X±0.35 .XXX±0.15	PART NAME	RF CONNECTOR IV 4 PAD
DRWN:Robert	Mar 12,2018	PART NUMBER	CMRFA661004
CHK'D:Yuri	Mar 12,2018	REVISION	A
APPR:Linda	Mar 12,2018	CUSTOMER	GENERAL MARKET
THIRD ANGLE PROJECTION	CUSTOMER P/N	SHEET NUMBER	2 OF 2
	/		

6 5 4 3 2 1