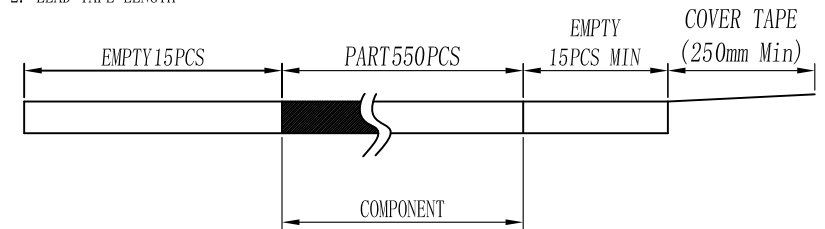




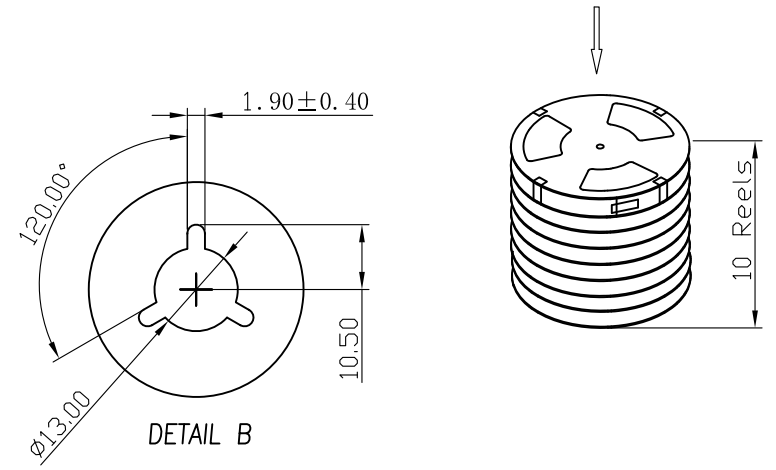
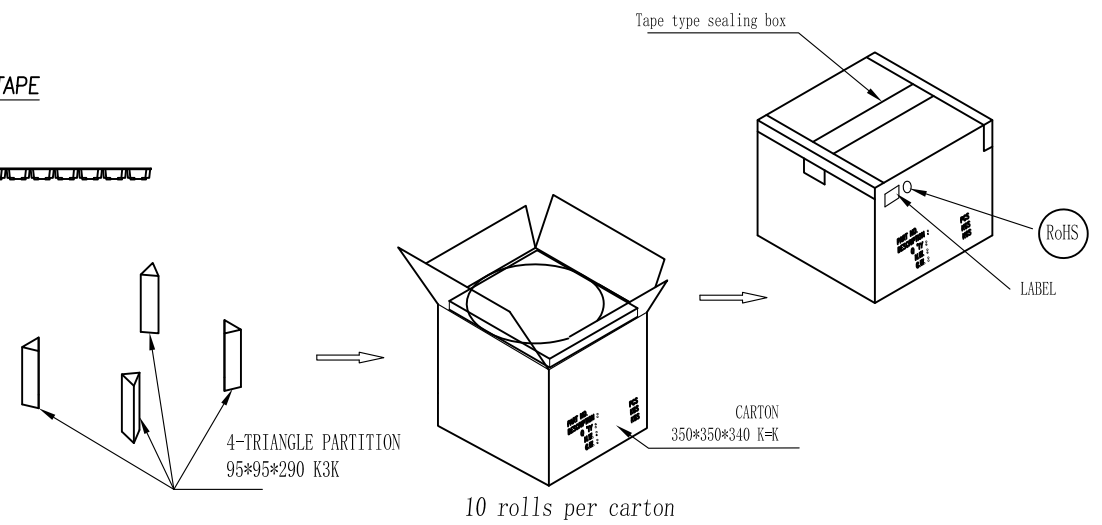
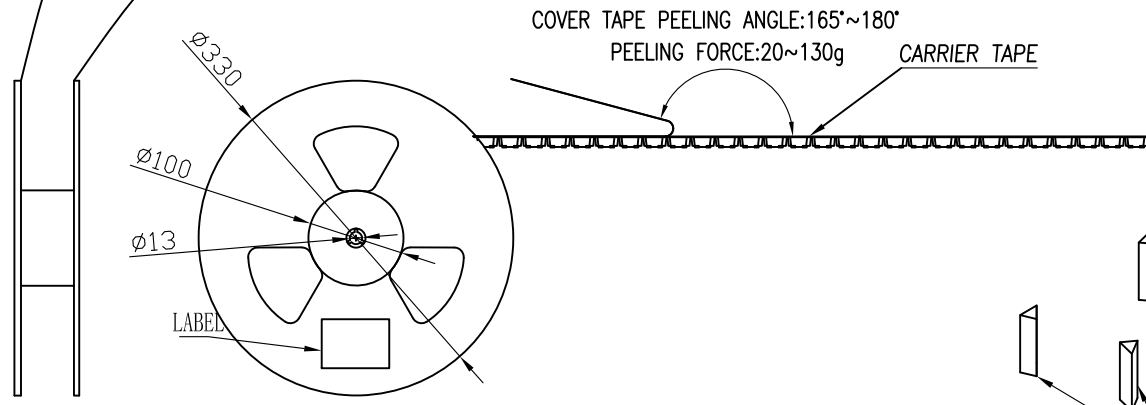
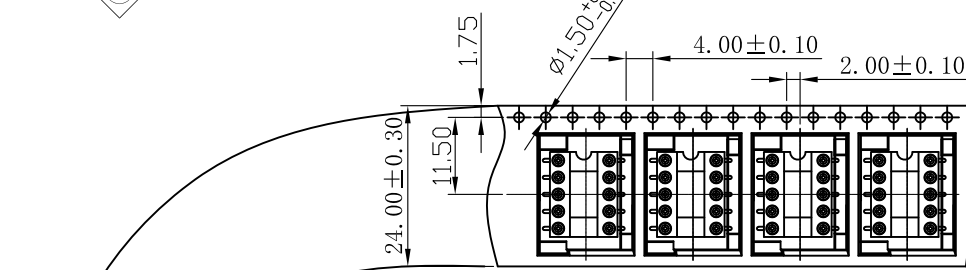
REV	EC No.	DESCRIPTION	Symbol	DATE
A	/	new release	/	Oct. 12, 2021

NOTES

1. NUMBER OF CONNECTORS: 550PCS/REEL
2. LEAD TAPE LENGTH



3. QUANTITY: 5500PCS/CARTON



For more information, please help to contact: connmold@foxmail.com, Tel.: 18922965797				
WWW.CONNMOLD.COM		<h1>ConnMold</h1>		
DIMENSION UNITS	TOLERANCE			
MM	X ± 0.50 .XX ± 0.25 .X ± 0.35 .XXX ± 0.15	PART NAME	IC SOCKET N PIN (2*X) 3.00MM HEIGHT	
DRWN: Robert	Oct. 12, 2021	PART NUMBER	CMPHFXX1001	
CHK'D: Yuri	Oct. 12, 2021	REVISION	A	
APPR: Linda	Oct. 12, 2021	CUSTOMER	GENERAL MARKET	
THIRD ANGLE PROJECTION	CUSTOMER P/N	SHEET NUMBER		2 OF 2
	/			