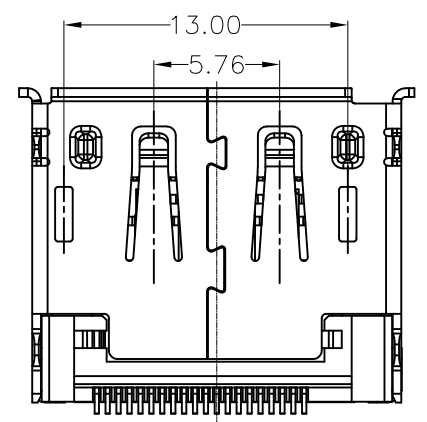
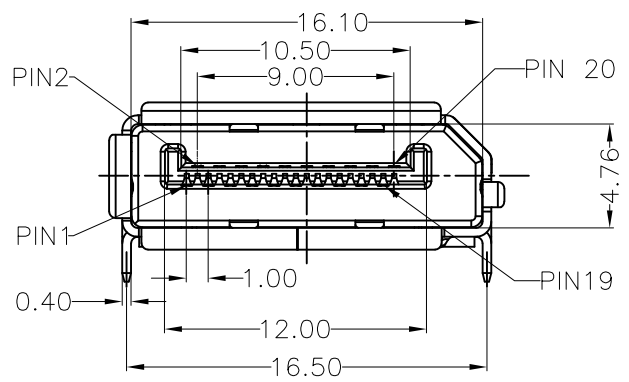
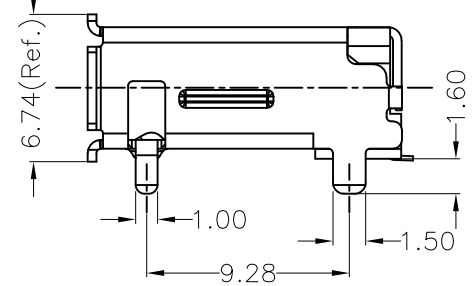


RECOMMENDED P.C.B. LAYOUT (THICKNESS=1.60mm)
TOLERANCE UNSPECIFIED ±0.05mm

SOLDER PAD
 KEEP OUT AREA



REV	EC No.	DESCRIPTION	Symbol	DATE
A	/	new release	/	Dec. 12, 2020



- NOTE:
- MECHANICAL:
 - INSERTION FORCE: 4.5Kgf MAX
 - WITHDRAW FORCE: 1Kgf~4Kgf
 - ELECTRICAL:
 - CONTACT CURRENT RATING: 0.5A MAX
 - VOLTAGE RATING: 40V AC (RMS)
 - DIELECTRIC WITHSTANDING VOLTAGE: 500 V AC FOR 1 MINUTE
 - INSULATION RESISTANCE : 100 MΩ MIN
 - CONTACT RESISTANCE: 30 mΩ MAX
 - ENVIRONMENTAL:
 - OPERATING TEMPERATURE : -40~+85°C
 - SALT SPRAY: 48H
 - PACKAGE: TAPE REEL PACKAGE, 390PCS/REEL

COMPATIBLE WITH MOLEX 105019-0005

QTY'S	SPECIFICATION	FINISHING	PART	ITEM
20	C2680 T:0.20mm	CONTACT AREA:GOLD FLASH, SOLDER TAIL: TIN	CONTACT	③
1	LCP E130I UL94V-0	COLOR: BLACK	HOUSING	②
1	C2680 T: 0.4mm	PLATED:NICKEL OVER ALL	SHELL	①

For more information, please help to contact: connmold@foxmail.com		Tel.: 18922965797	
WWW.connmold.COM		<h1>ConnMold</h1>	
DIMENSION UNITS	TOLERANCE		
MM	X±0.50 .XX±0.25 .X±0.35 .XXX±0.15	PART NAME	DISPLAY PORT TYPE REVERSE R/A RECEPTACLE
DRWN: Robert	Dec. 12, 2020	PART NUMBER	CMDPF661001
CHK'D: Yuri	Dec. 12, 2020	REVISION	A
APPR: Linda	Dec. 12, 2020	CUSTOMER	GENERAL MARKET
THIRD ANGLE PROJECTION	CUSTOMER P/N	SHEET NUMBER	
	/	1 OF 1	