

6

5

4

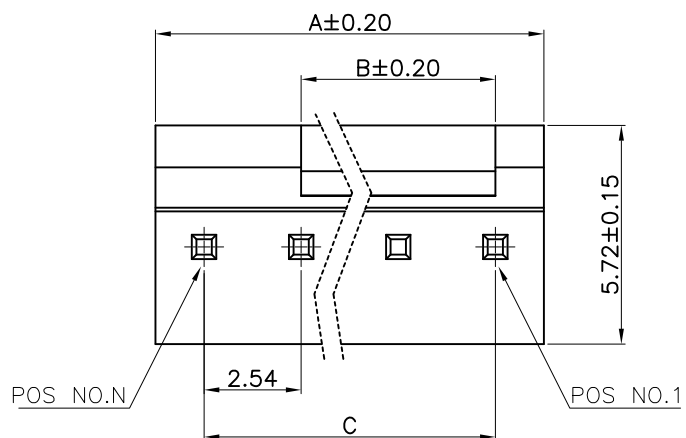
3

2

1



REV	EC No.	DESCRIPTION	Symbol	DATE
A	/	new release	/	Oct. 10, 2019

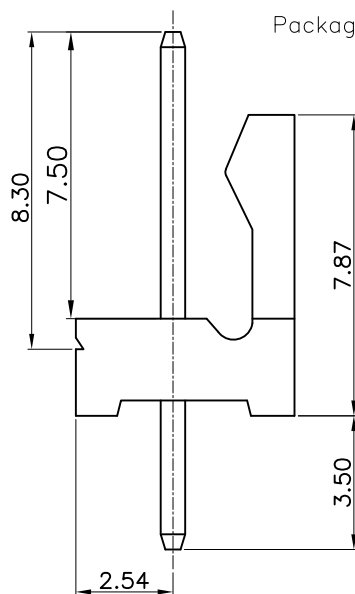
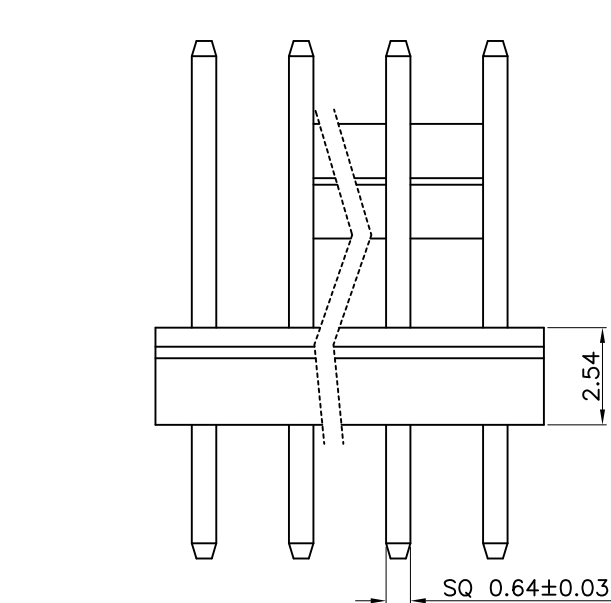


Material:  
 Contact Material: Brass  
 Contact plating: Tin plated Over Nickel  
 Insulator Material: thermoplastic Nylon 9T white Color UL94V-0.

Electrical:  
 Current rating: 3.0Amps/contact max.  
 Contact resistance:  $\leq 20\text{m}\Omega/\text{contact}$   
 Insulation resistance:  $\geq 1000\text{M}\Omega$   
 Withstanding Voltage: 750V AC/minute

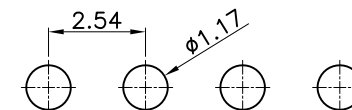
Mechanical:  
 Operating temperature:  $-25^{\circ}\text{C}$  to  $+105^{\circ}\text{C}$   
 Wave soldering temperature:  $260\pm 5^{\circ}\text{C}, 5\text{s}$

Package: PE bag



CMPHMxx1006

- 02: 2 POSITIONS
- 03: 3 POSITIONS
- 04: 3 POSITIONS
- 05: 3 POSITIONS
- 06: 3 POSITIONS



RECOMMENDED PCB LAYOUT  
 TOLERANCE UNSPECIFIED  $\pm 0.05\text{mm}$

6	15.24	10.16	12.70
5	12.70	7.62	10.16
4	10.16	5.08	7.62
3	7.62	2.54	5.08
2	5.08	2.54	2.54
POSITIONS	A:	B:	C:
	DIMENSIONS		

For more information, please help to contact: [connmold@foxmail.com](mailto:connmold@foxmail.com) Tel.: 18922965797

WWW.CONNMOLD.COM		<h1>ConnMold</h1>	
DIMENSION UNITS	TOLERANCE		
MM	$X\pm 0.50$ .XX $\pm 0.25$ $.X\pm 0.35$ .XXX $\pm 0.15$	PART NAME WAFER 2.54 PITCH S/T TYPE 3.50MM 7.50MM	
DRWN: Robert	Oct. 10, 2019	PART NUMBER CMPHMxx1006	
CHK'D: Yuri	Oct. 10, 2019	REVISION A	
APPR: Linda	Oct. 10, 2019	SHEET NUMBER 1 OF 1	
THIRD ANGLE PROJECTION	CUSTOMER P/N	CUSTOMER	SHEET NUMBER
	/	GENERAL MARKET	1 OF 1

6

5

4

3

2

1