



REV	EC No.	DESCRIPTION	Symbol	DATE
A	/	new release	/	Mar. 12, 2018

NOTES :

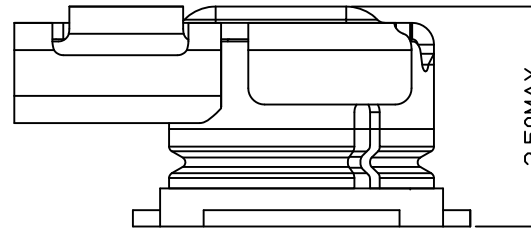
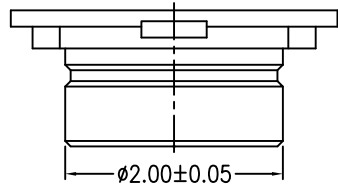
1.0. RATING :

- 1.1. VOITAGE :60 VAC (R.M.S.)
- 1.2. NOMINAL CHARACTERISTIC IMPEDANCE: 50 Ohm
- 1.3. APPLICABLE FREQUENCY: DC ~ 6GHz
- 1.4. VSWR: 1.3 MAX. (DC~3GHz), 1.5 MAX. (3~6GHz)
- 1.5. TEMPERATURE : -40°C TO +85°C
- 1.6. APPLIED TO IR SOLDERING PROCESS

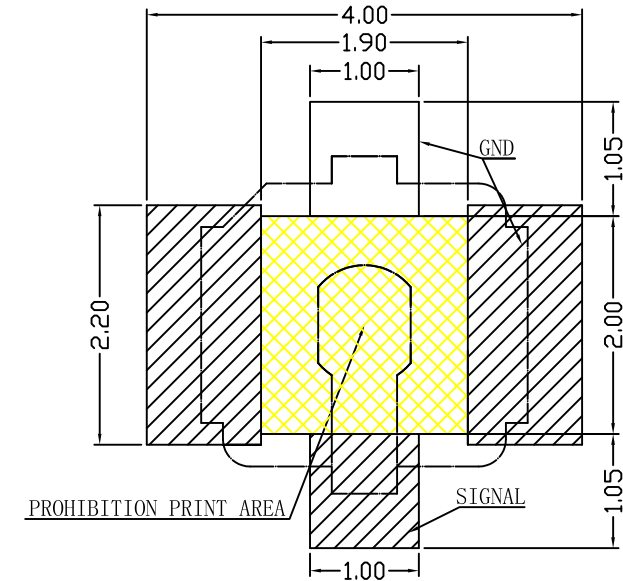
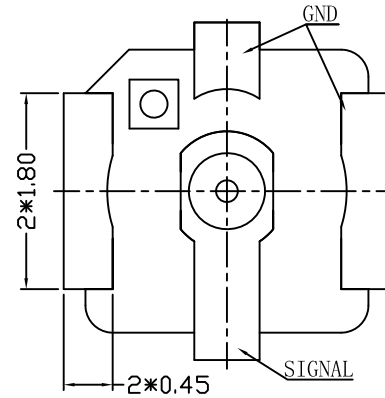
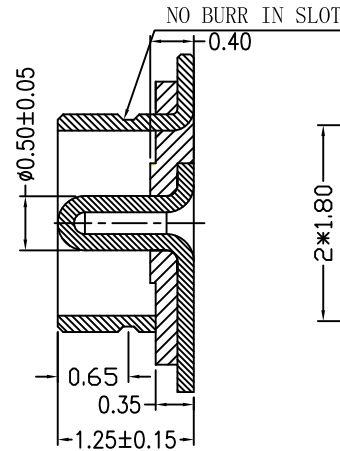
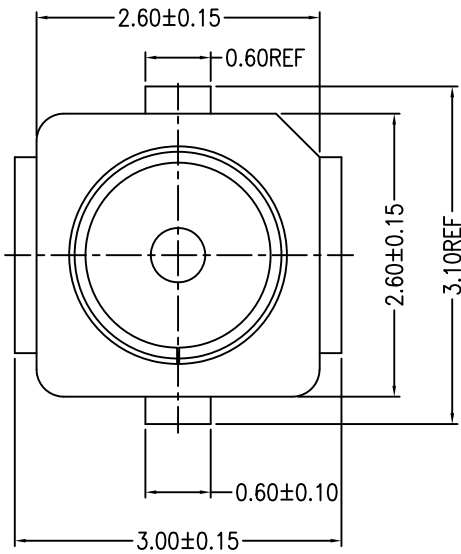
2.0. MATERIAL :

- 2.1.HOUSING: THERMOPLASTIC,UL94V-0,WHITE
- 2.2.CENTER CONTACT : COPPER ALLOY. GOLD FLASH OVERALL
- 2.3.SHELL CONTACT: COPPER ALLOY. GOLD FLASH OVERALL

3.0. PACKAGE : TAPE REEL, 5000PCS/REEL



MATING INTERFACE



PCB SOLDER PAD  
 PROHIBITION AREA  
 RECOMMENDED PCB LAYOUT

(TOLERANCE:±0.05)

For more information, please feel free to contact Neal. His email is :connmold@foxmail.com Tel:18922965797

WWW.connmold.COM

DIMENSION UNITS	TOLERANCE
MM	X±0.50 .XX±0.25
	.X±0.35 .XXX±0.15

# ConnMold

PART NAME RF Connector I  
3 PAD or 4 PAD

DRWN:Robert Mar. 12, 2018

CHK'D:Yuri Mar. 12, 2018

APPR:Lee Mar. 12, 2018

PART NUMBER CMRFA6610011 REVISION A

THIRD ANGLE PROJECTION CUSTOMER P/N



/

CUSTOMER GENERAL MARKET

SHEET NUMBER 1 OF 2

