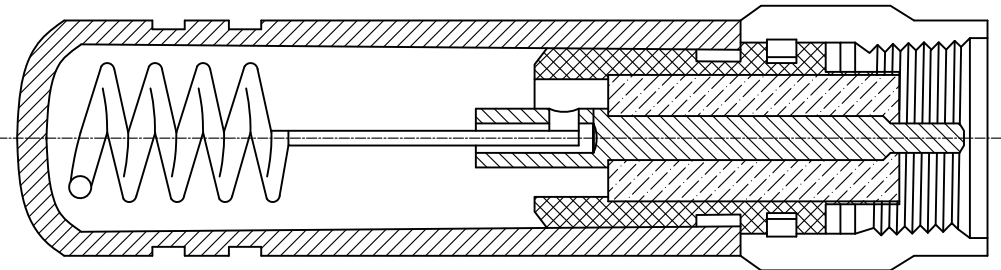
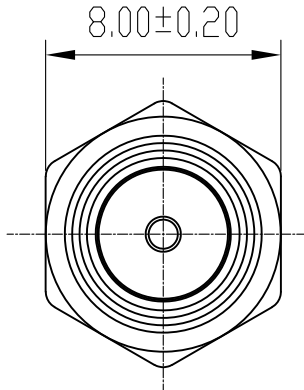
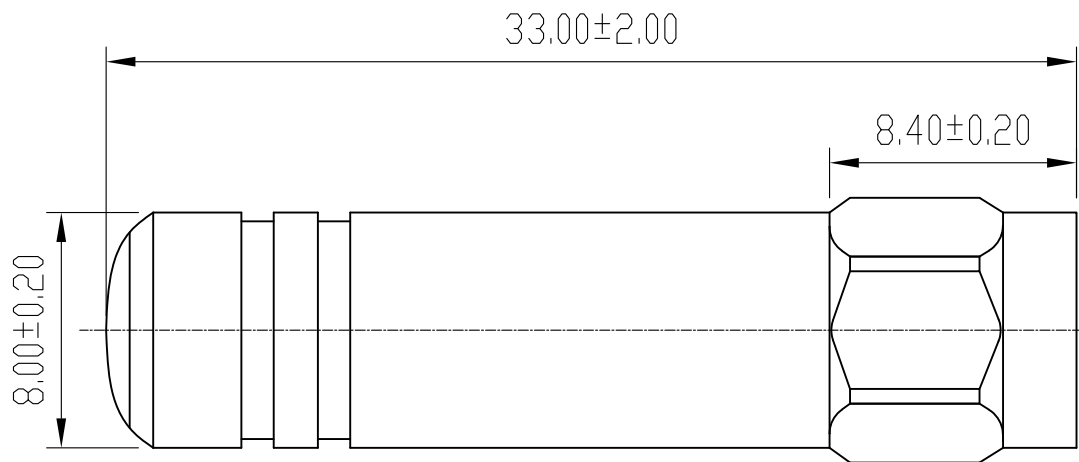


6 5 4 3 2 1

REV	EC No.	DESCRIPTION	Symbol	DATE
A	/	new release	/	Mar. 12, 2018



2.4G

NOTES :

- 1.0. SPECIFICATIONS :
 - 1.1. CONNECTOR: SMA PLUG
 - 1.2. NOMINAL CHARACTERISTIC IMPEDANCE: 50 Ohm
 - 1.3. APPLICABLE FREQUENCY RANGE: 2.4~2.5GHZ
 - 1.4. VSWR: 2.0 MAX.
 - 1.5. TEMPERATURE :-40°C TO +85°C
 - 1.6. RADIATION PATTERN: OMNI-DIRECTIONAL
 - 1.7. ANTENNA HEIGHT:33MM
 - 1.8. ANTENNA GAIN: 2.0 dBi min
 - 1.9. POLARIZATION: VERTICAL
- 2.0. MATERIAL :
 - 2.1.CONNECTOR: SMA PLUG ,COPPER ALLOY, NICKEL PLATED
 - 2.2.ANTENNA:COPPER ALLOY
 - 2.3.ANTENNA HOOD : TPEE BLACK
- 3.0. PACKAGE : PE BAG, BLISTER BOX,CARTON

For more information, please feel free to contact Neal. His email is :connmold@foxmail.com Tel:18922965797

WWW.connmold.COM		ConnMold	
DIMENSION UNITS	TOLERANCE		
MM	X±0.50 .XX±0.25	PART NAME 2.4G ANTENNA WITH SMA PLUG 2dBi BLACK TYPE L=33MM	
	.X±0.35 .XXX±0.15		
DRWN:Robert	Mar. 12, 2018	PART NUMBER CMRFA661008	
CHK'D:Yuri	Mar. 12, 2018		
APPR:Lee	Mar. 12, 2018	CUSTOMER GENERAL MARKET	
THIRD ANGLE PROJECTION	CUSTOMER P/N /		

6 5 4 3 2 1