

6

5

4

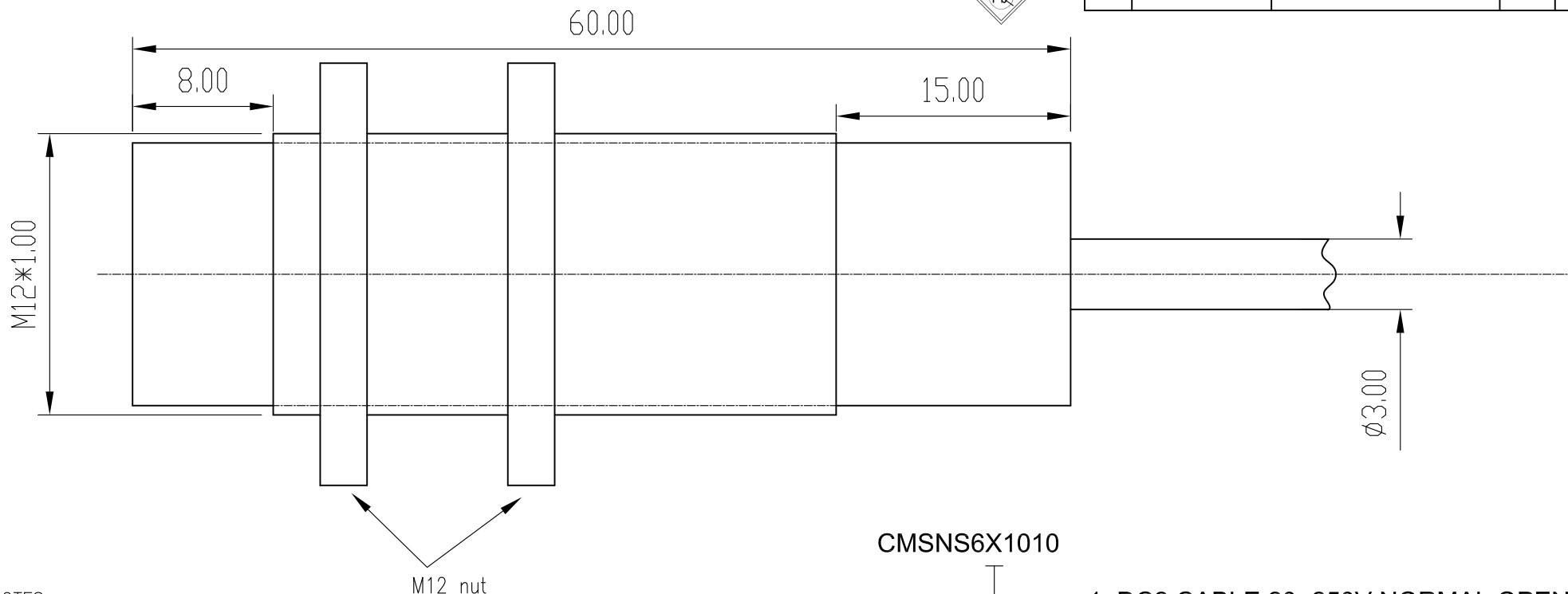
3

2

1



REV	EC No.	DESCRIPTION	Symbol	DATE
A	/	new release	/	Mar. 12, 2018



NOTES :

- | | |
|---|---------------------------------------|
| 1.0. Spec.:M12 | 11.0 Frequency: 40 HZ |
| 2.0. Metal cover housing: no, housing is longer | 12.0 Response time: 10ms/10ms |
| 3.0. Sensor detect distance: 4.00mm | 13.0 Power On/Off delay: 15% (Sr) max |
| 4.0. Shell Material:Stainless steel | 14.0 Repeat accuracy: 1.0% (Sr) max |
| 5.0. Operation Voltage:20~250V DC | 15.0 Waterproof grade: IP67 |
| 6.0. Unload current: 2.5 mA max | 16.0 Temperature Range: -25°C~+70°C |
| 7.0. Type: see part number | 17.0 Temperature change: 10% (Sr) Max |
| 8.0. Load Current: 5mA~400mA | 18.0 Short protection: NO |
| 9.0. Leakage current:2.5mA max | 19.0 Peak current: 2.2A 20ms |
| 10.0 Voltage drop: 8.0V DC max | 20.0 Contact surface material:PBT |

CMSNS6X1010

- 1: DC2 CABLE 20~250V NORMAL OPEN
2: DC2 CABLE 20~250V NORMAL CLOSE

For more information, please feel free to contact Neal. His email is :connmold@foxmail.com Tel:18922965797

DIMENSION UNITS		TOLERANCE		PART NAME	
MM		X±0.50	.XX±0.25	M12 DC INDUCTIVE SENSOR	
		.X±0.35	.XXX±0.15	SENSOR 2.00mm 20~250V DC	
DRWN:Robert		Mar. 12, 2018		PART NUMBER	
CHK'D:Yuri		Mar. 12, 2018		CMSNS6X1010	
APPR:Lee		Mar. 12, 2018		REVISION	
THIRD ANGLE PROJECTION		CUSTOMER P/N		GENERAL MARKET	
		/		SHEET NUMBER	
				1 OF 1	

6

5

4

3

2

1