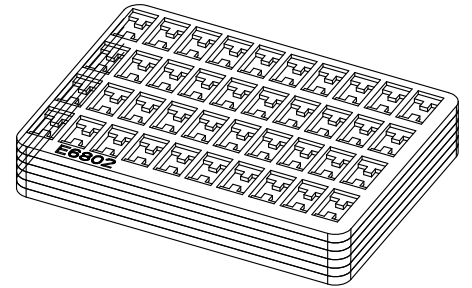
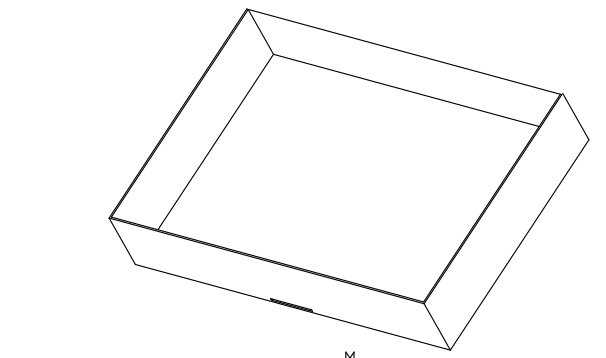
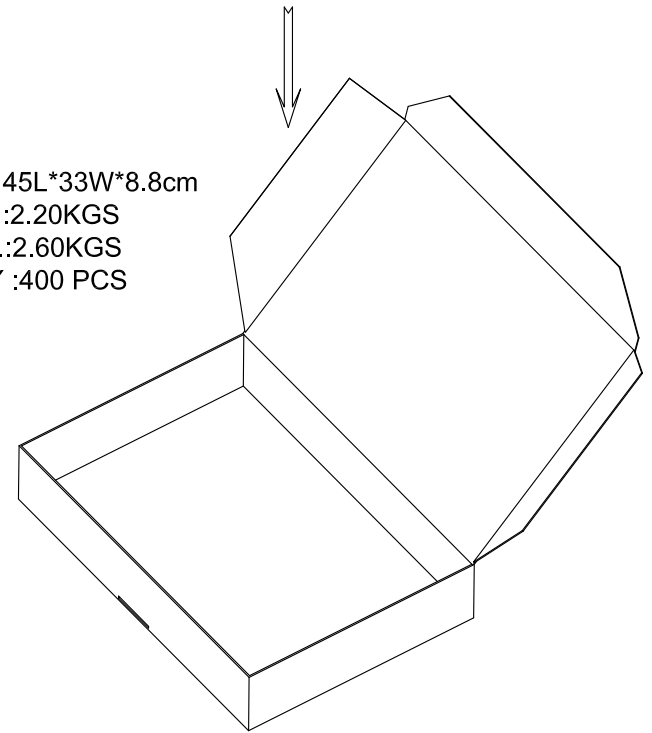


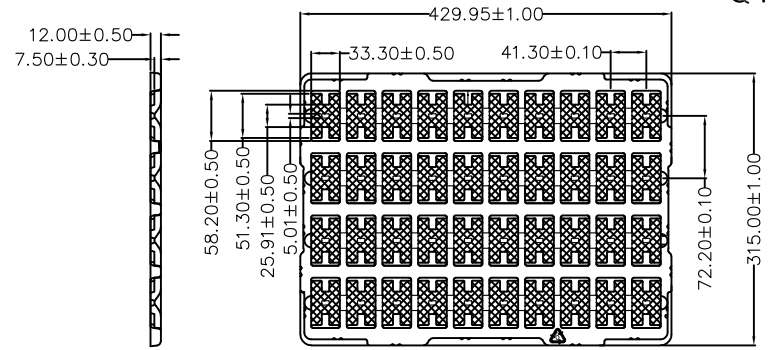
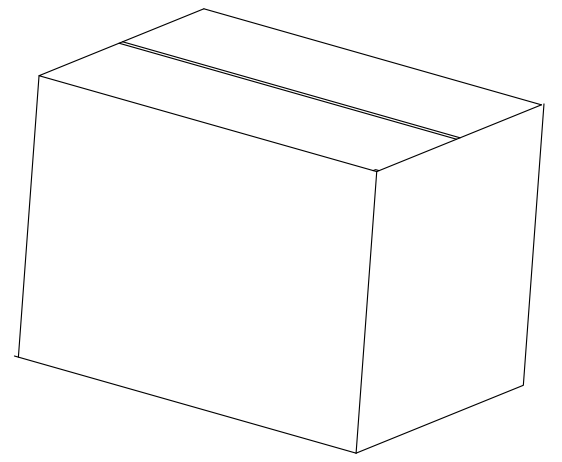
DIA.:43L*31W*1.4cm
 N.W.:0.76KGS
 G.W.:0.85KGS
 Q'TY :40 PCS



DIA.:45L*33W*8.8cm
 N.W.:2.20KGS
 G.W.:2.60KGS
 Q'TY :400 PCS



DIA.:48L*35W*46cm
 N.W.:11.4KGS
 G.W.:12.5KGS
 Q'TY :2000 PCS



REV	EC No.	DESCRIPTION	Symbol	DATE
A	/	new release	/	Dec. 12, 2020

NOTE:

1. TRAY PACKAGE
2. PUT 40PCS IN A TRAY, SO, 40PCS/TRAY
3. PUT 10PCS TRAY INTO SMALL CARTON, SO 400PCS/SMALL CARTON
4. PUT 5PCS SMALL CARTON INTO BIG CARTON, SO, 2000PCS/CARTON

For more information, please help to contact: connmold@foxmail.com Tel.:18922965797			
WWW.connmold.COM		<h1>ConnMold</h1>	
DIMENSION UNITS	TOLERANCE		
MM	X±0.50 .XX±0.25 .X±0.35 .XXX±0.15	PART NAME SMART CARD SOCKET 3.65MM HEIGHT	
DRWN:Robert	Dec.12,2020	PART NUMBER	
CHK'D:Yuri	Dec.12,2020	CMSIM661018	
APPR:Linda	Dec.12,2020	REVISION	
THIRD ANGLE PROJECTION		CUSTOMER	
		GENERAL MARKET	
CUSTOMER P/N		SHEET NUMBER	
/		2 OF 2	