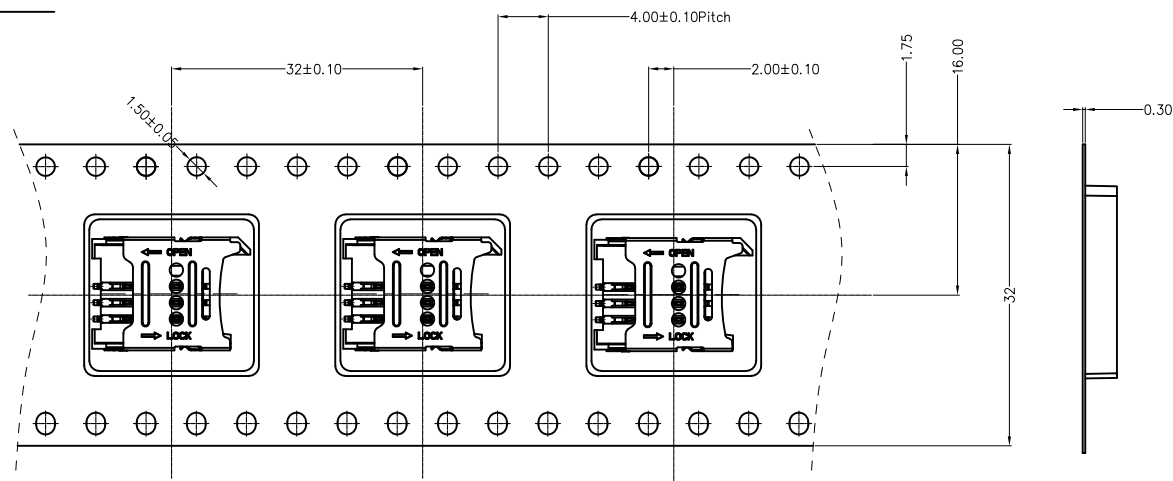
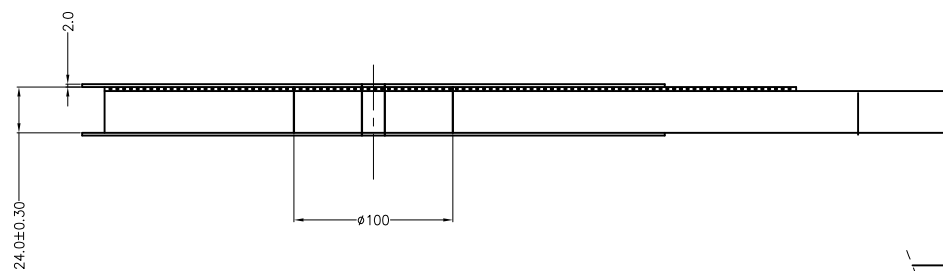




REV	EC No.	DESCRIPTION	Symbol	DATE
A	/	new release	/	Dec. 12, 2020

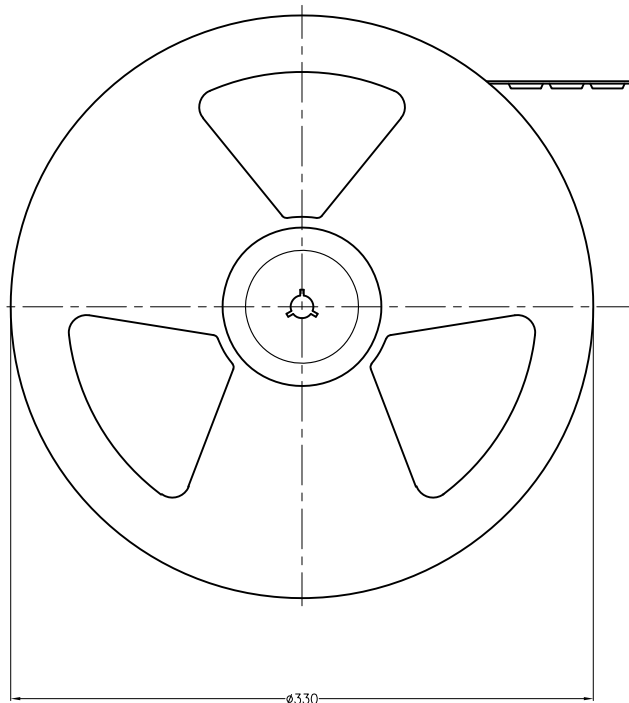


PULL OUT DIRECTION →

PULL OUT DIRECTION →

Note:

- 1.10 sprocket hole pitch cumulative tolerance ± 0.2
2. Carrier camber is within 1 mm in 250mm.
3. Material: Black Conductive Polystyrene Alloy
100 % recyclable.
4. All dimensions meet EIA-481-B requirements.
5. Thickness: 0.3 ± 0.05 mm.
6. Component load per 13" reel: 600 pcs.



For more information, please help to contact: connmold@foxmail.com

Tel: 18922965797

WWW.connmold.COM		<h1>ConnMold</h1>	
DIMENSION UNITS	TOLERANCE		
MM	$X \pm 0.50$ $.XX \pm 0.25$ $.X \pm 0.35$ $.XXX \pm 0.15$	PART NAME SIM CARD CONNECTOR 1.80MM HEIGHT	
DRWN: Robert	Dec. 12, 2020	PART NUMBER CMSIM661016	
CHK'D: Yuri	Dec. 12, 2020	REVISION A	
APPR: Linda	Dec. 12, 2020	CUSTOMER GENERAL MARKET	
THIRD ANGLE PROJECTION	CUSTOMER P/N /	SHEET NUMBER 2 OF 2	

