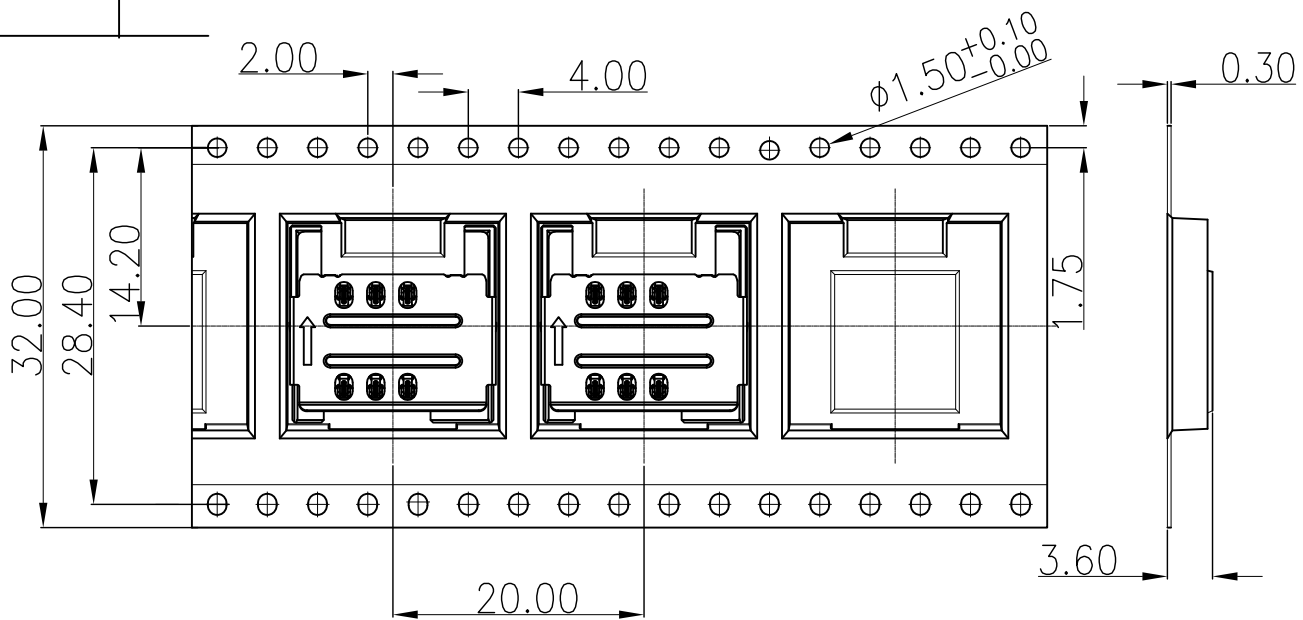
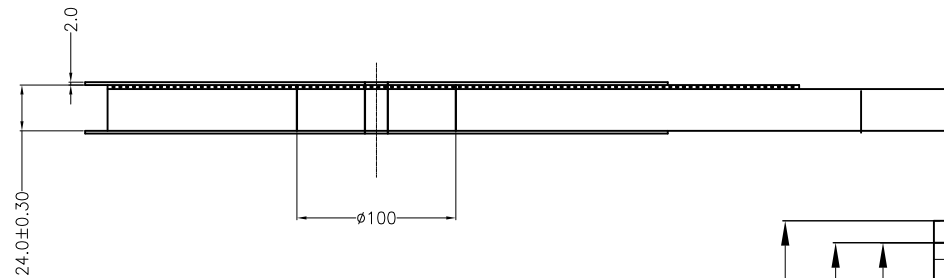
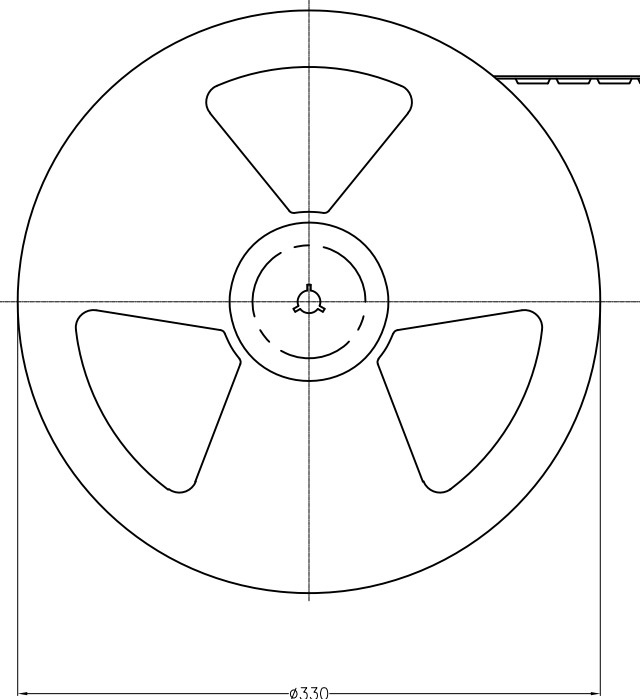




REV	EC No.	DESCRIPTION	Symbol	DATE
A	/	new release	/	Dec. 12, 2020



PULL OUT DIRECTION →



**Note:**

- 1.10 sprocket hole pitch cumulative tolerance ±0.2
2. Carrier camber is within 1 mm in 250mm.
3. Material: Black Conductive Polystyrene Alloy  
100% recyclable.
4. All dimensions meet EIA-481-B requirements.
5. Thickness: 0.3±0.05mm.
6. Package: tape reel, 1000 pcs/reel, 10000 pcs/carton.

For more information, please help to contact: connmold@foxmail.com Tel.: 18922965797

WWW.connmold.COM		<h1>ConnMold</h1>	
DIMENSION UNITS	TOLERANCE		
MM	X±0.50 .XX±0.25 .X±0.35 .XXX±0.15	PART NAME <b>SIM CARD CONNECTOR 2.80MM HEIGHT</b>	
DRWN: Robert	Dec. 12, 2020	PART NUMBER <b>CMSIM661017</b>	
CHK'D: Yuri	Dec. 12, 2020	REVISION <b>A</b>	
APPR: Linda	Dec. 12, 2020	SHEET NUMBER <b>2 OF 2</b>	
THIRD ANGLE PROJECTION	CUSTOMER P/N	CUSTOMER	
	/	<b>GENERAL MARKET</b>	