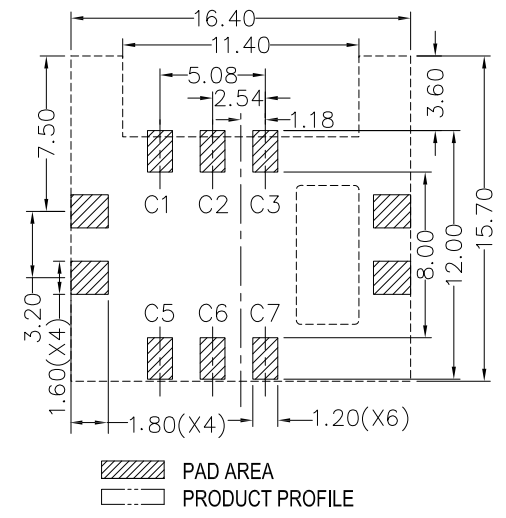
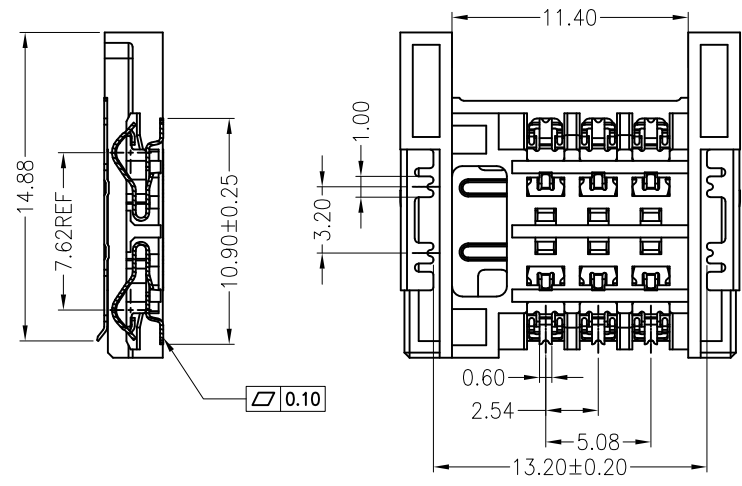
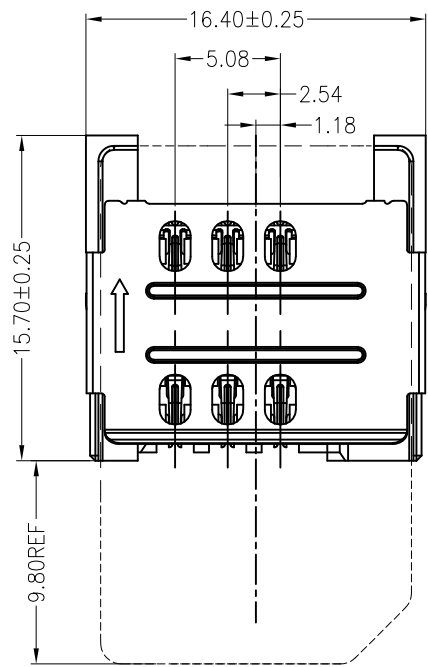
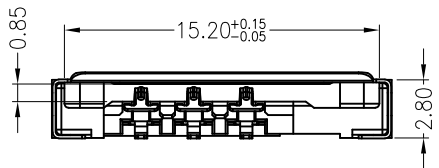
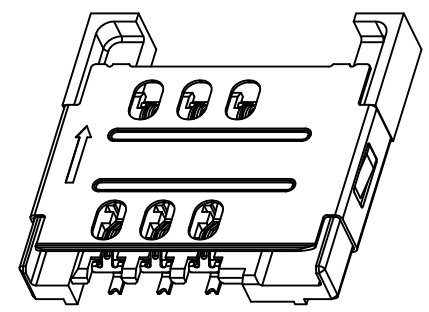




REV	EC No.	DESCRIPTION	Symbol	DATE
A	/	new release	/	Dec. 12, 2020

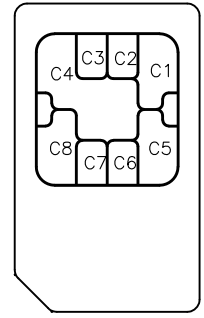


RECOMMENDED P.C.BOARD LAYOUT (TOP VIEW)
TOLERANCES UNLESS OTHERWISE SPEC.±0.05



SIM CARD CIRCUIT

C1	C1:VCC
C2	C2:RST
C3	C3:CLK
C4	C4:RESERVED
C5	C5:GND
C6	C6:VPP
C7	C7:I/O
C8	C8:RESERVED



- NOTES:
- MATERIAL:
 - Housing:HI-TEMP Plastic,UL94V-0,Black;
 - Terminal:Copper alloy
 - Shell:Stainless Steel
 - FINISH:
 - Terminal:
 - 1u" Au Plated on the contact area, Gold flash plated on the solder tails
 - Shell: Gold flash on the solder tails
 - Electrical Performance:
 - Contact Resistance:50mΩ Max
 - Dielectric Withstanding Voltage:350V AC for 1 minute
 - Insulation Resistance:1000 MΩ Min
 - Durability:10000 cycles;
 - Package: tape reel, 900PCS/Reel

For more information, please help to contact: connmold@foxmail.com Tel.:18922965797			
WWW.connmold.COM		<h1>ConnMold</h1>	
DIMENSION UNITS	TOLERANCE		
MM	X±0.50 .XX±0.25 .X±0.35 .XXX±0.15	PART NAME SIM CARD CONNECTOR 2.80MM HEIGHT	
DRWN:Robert	Dec.12,2020	PART NUMBER CMSIM661019	
CHK'D:Yuri	Dec.12,2020	REVISION A	
APPR:Linda	Dec.12,2020	SHEET NUMBER 1 OF 2	
THIRD ANGLE PROJECTION	CUSTOMER P/N	CUSTOMER	SHEET NUMBER
	/	GENERAL MARKET	1 OF 2