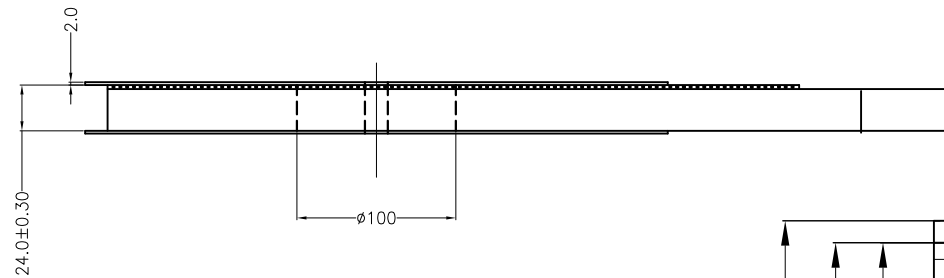
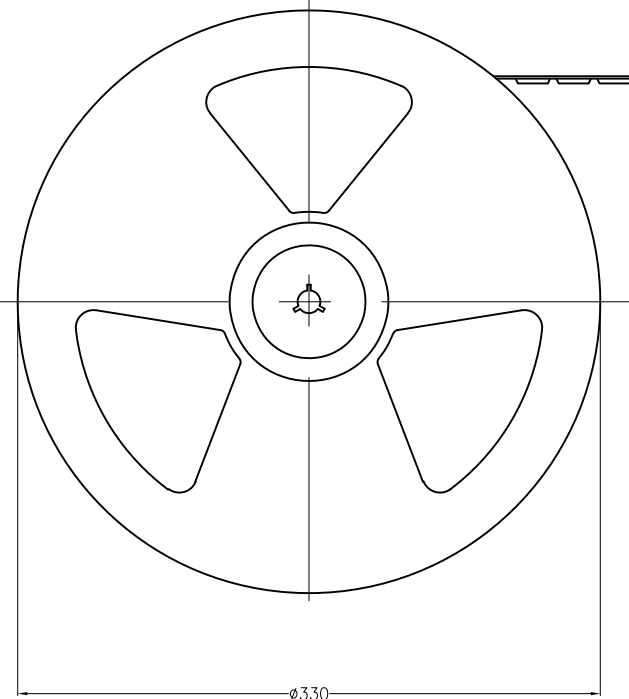
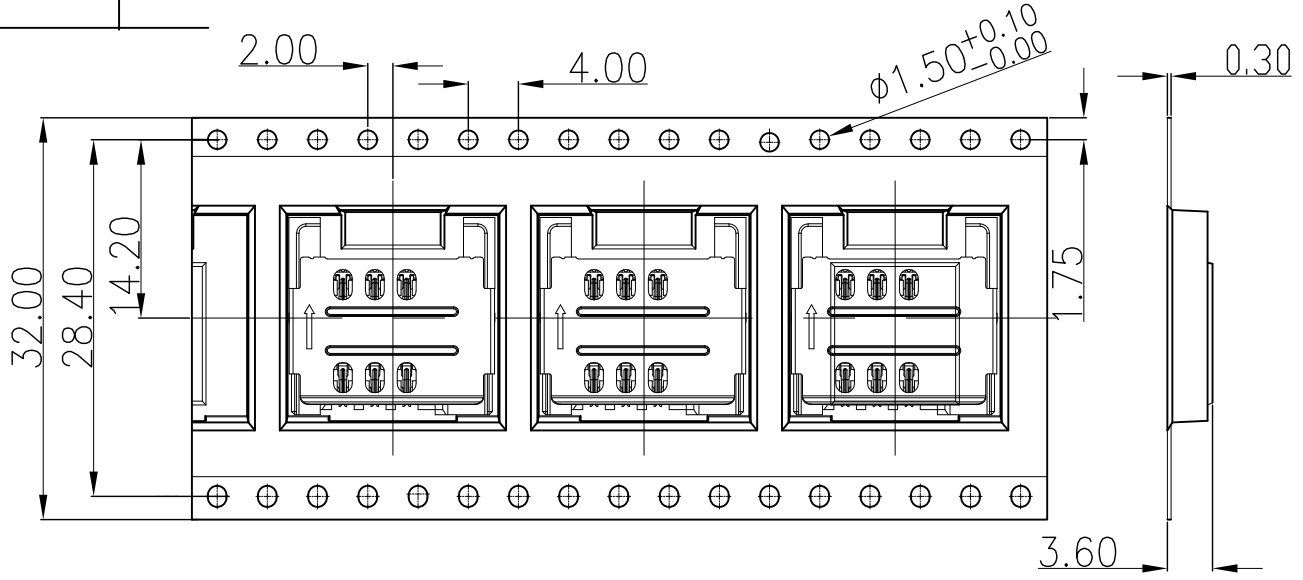




REV	EC No.	DESCRIPTION	Symbol	DATE
A	/	new release	/	Dec. 12, 2020



PULL OUT DIRECTION →



Note:

- 1.10 sprocket hole pitch cumulative tolerance ±0.2
2. Carrier camber is within 1 mm in 250mm.
3. Material: Black Conductive Polystyrene Alloy
100% recyclable.
4. All dimensions meet EIA-481-B requirements.
5. Thickness: 0.3±0.05mm.
6. Package: tape reel, 900 pcs/reel, 9000 pcs/carton.

For more information, please help to contact: connmold@foxmail.com Tel.: 18922965797

WWW.connmold.COM		ConnMold	
DIMENSION UNITS	TOLERANCE		
MM	X±0.50 .XX±0.25	PART NAME SIM CARD CONNECTOR 2.80MM HEIGHT	
	.X±0.35 .XXX±0.15		
DRWN:Robert	Dec.12,2020	PART NUMBER CMSIM661019	
CHK'D:Yuri	Dec.12,2020		
APPR:Linda	Dec.12,2020		
THIRD ANGLE PROJECTION	CUSTOMER P/N	CUSTOMER	SHEET NUMBER
	/	GENERAL MARKET	2 OF 2