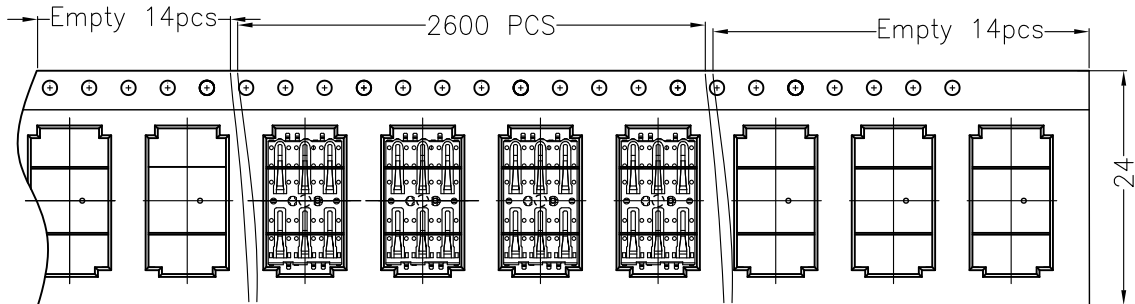
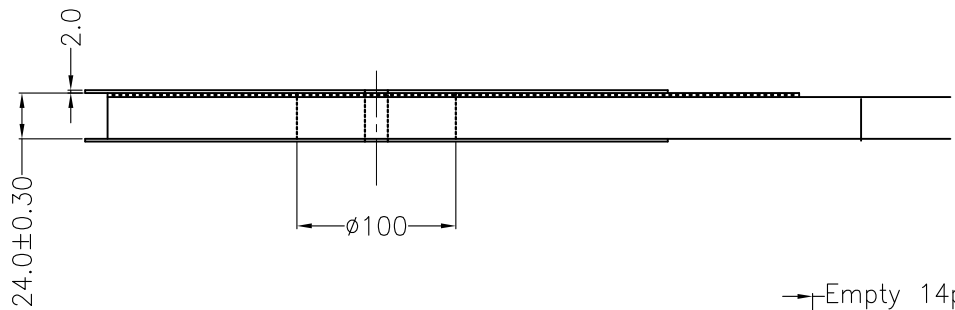
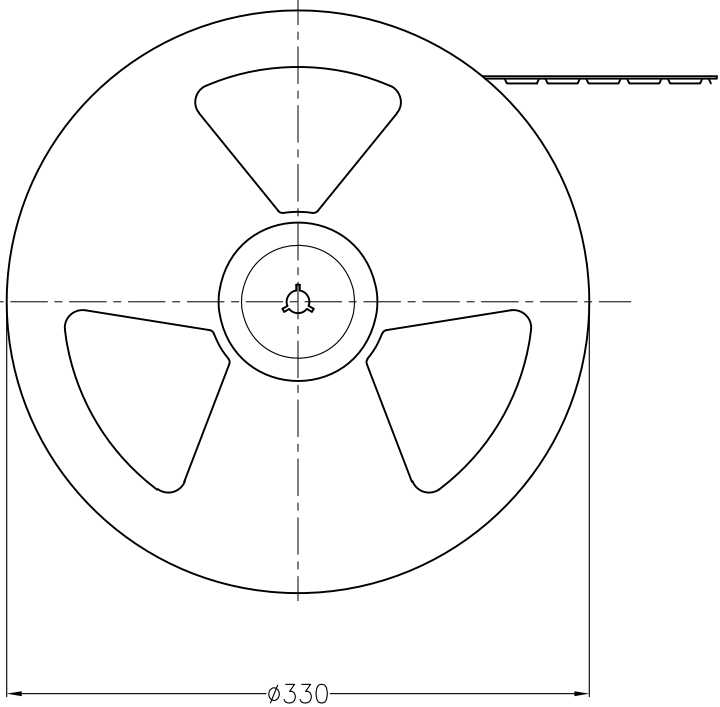




REV	EC No.	DESCRIPTION	Symbol	DATE
A	/	new release	/	Dec. 12, 2020



PULL OUT DIRECTION →



1. 1.10 sprocket hole pitch cumulative tolerance ±0.2
2. Carrier camber is within 1 mm in 250mm.
3. Material: Black Conductive Polystyrene Alloy  
100% recyclable.
4. All dimensions meet EIA-481-B requirements.
5. Thickness: 0.3 ± 0.05 mm.
6. Package: tape reel, 2600 pcs/reel, 26000 pcs/carton.

For more information, please help to contact: [connmold@foxmail.com](mailto:connmold@foxmail.com) Tel.: 18922965797

WWW.connmold.COM		<h1>ConnMold</h1>	
DIMENSION UNITS	TOLERANCE		
MM	X±0.50 .XX±0.25	PART NAME <b>SIM CARD BLOCK</b> <b>0.40MM HEIGHT</b>	
	.X±0.35 .XXX±0.15		
DRWN: Robert	Dec. 12, 2020	PART NUMBER <b>CMSIM661020</b>	
CHK'D: Yuri	Dec. 12, 2020		
APPR: Linda	Dec. 12, 2020		
THIRD ANGLE PROJECTION	CUSTOMER P/N	CUSTOMER	SHEET NUMBER
	/	<b>GENERAL MARKET</b>	<b>2 OF 2</b>