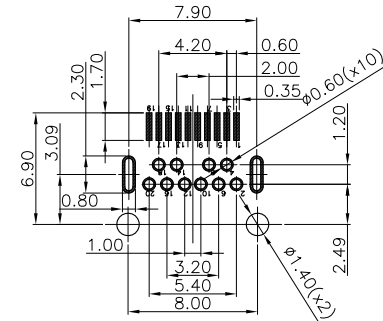


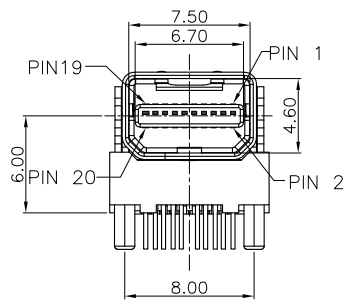
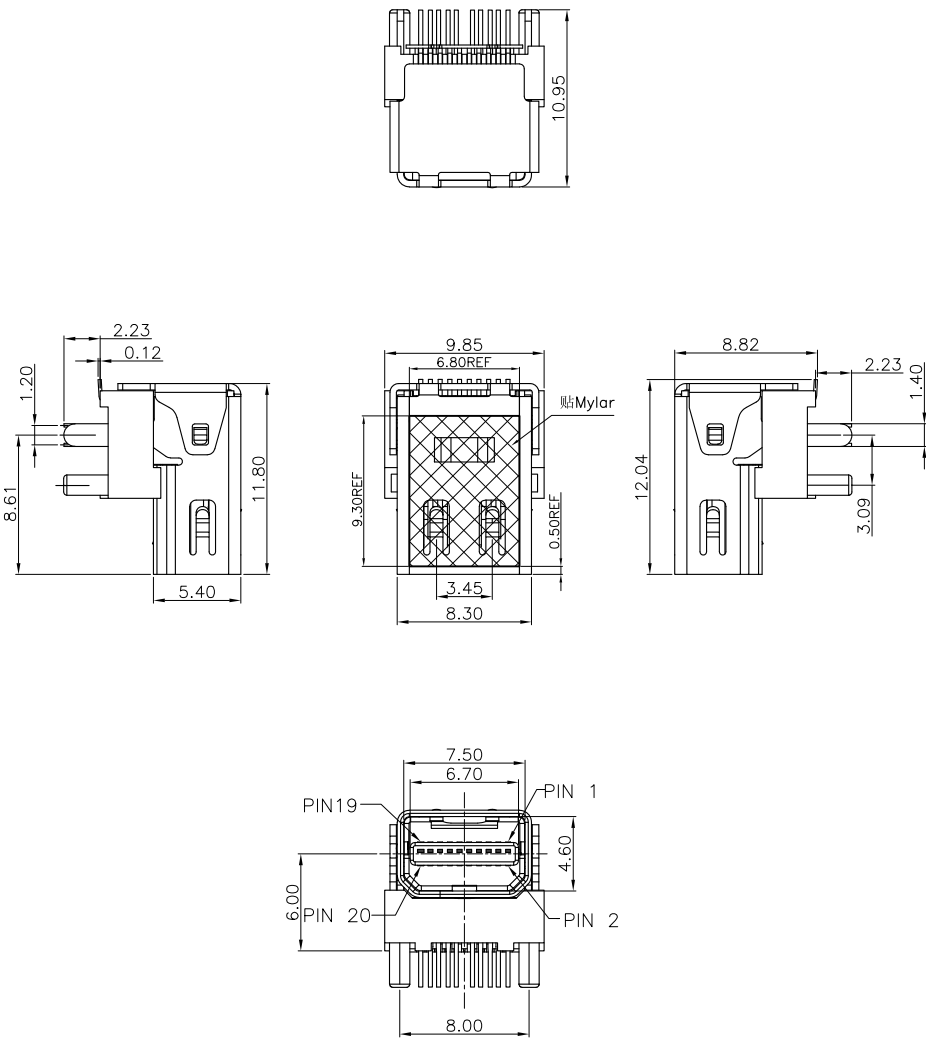
REV	EC No.	DESCRIPTION	Symbol	DATE
A	/	new release	/	Dec. 12, 2020



■ SOLDER PAD
P.C.B LAYOUT (T=1.60mm)
VIEW BOTTOM (tolerance±0.05)

NOTES:

1. MATERIAL
 - 1.1 HOUSING: HI-TEMP PLASTIC (UL94-V-0), BLACK
 - 1.2 CONTACT: COPPER ALLOY (T=0.20), PLATING: GOLD PLATED ON CONTACT AREA, TIN PLATED ON SOLDER TAILS, UNDER NICKEL PLATED.
 - 1.3 SHELL: BRASS (T=0.40), PLATING: NICKEL PLATED,
 - 1.4 SPRING SHELL: STAINLESS SUS304 T=0.20mm
 - 1.5 COVER: HI-TEMP, PLASTIC (UL94V-0) BLACK,
2. SPECIFICATION:
 - 2.1 CURRENT RATING: 0.5 A
 - 2.2 CONTACT RESISTANCE: 30mΩ MAX.
 - 2.3 DIELECTRIC WITHSTANDING VOLTAGE: 500V AC R.M.S FOR ONE MINUTE.
 - 2.4 INSULATION RESISTANCE: 100MΩ MIN AT 500V DC.
 - 2.5 OPERATING TEMPERATURE: -25° TO +85°.
 - 2.6 DURABILITY: 10000 CYCLES.
 - 2.7 MATING FORCE: 4.5KG MAX.
 - 2.8 UNMATING FORCE: 1.0KG MIN



Top Row			Bottom Row		
Pin NO.	Signal Type	Pin Name	Pin NO.	Signal Type	Pin Name
1	GND	GND	2	In	HotPlug Detect
3	Out	ML_Lane 0(p)	4	CONFIG	CONFIG1
5	Out	ML_Lane 0(n)	6	CONFIG	CONFIG2
7	GND	GND	8	GND	GND
9	Out	ML_Lane 1(p)	10	Out	ML_Lane 3(p)
11	Out	ML_Lane 1(n)	12	Out	ML_Lane 3(n)
13	GND	GND	14	GND	GND
15	Out	ML_Lane 2(p)	16	I/O	AUX_CH(p)
17	Out	ML_Lane 2(n)	18	I/O	AUX_CH(n)
19	GND	GND	20	PWR Out	DP_PWR

For more information, please help to contact: connmold@foxmail.com Tel:18922965797

WWW.connmold.COM		<h1>ConnMold</h1>	
DIMENSION UNITS	TOLERANCE		
MM	X±0.50 .XX±0.25 .X±0.35 .XXX±0.15	PART NAME MINI DISPLAY PORT TYPE R/A RECEPTACLE	
DRWN:Robert	Dec.12,2020	PART NUMBER CMDPF661002	
CHK'D:Yuri	Dec.12,2020	REVISION A	
APPR:Linda	Dec.12,2020	SHEET NUMBER 1 OF 1	
THIRD ANGLE PROJECTION	CUSTOMER P/N	CUSTOMER	SHEET NUMBER
	/	GENERAL MARKET	1 OF 1