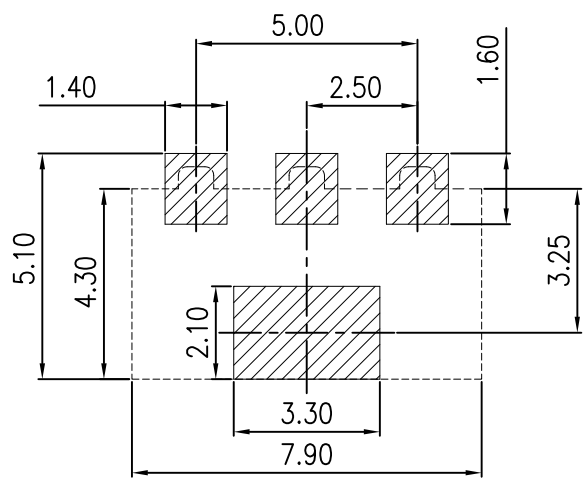
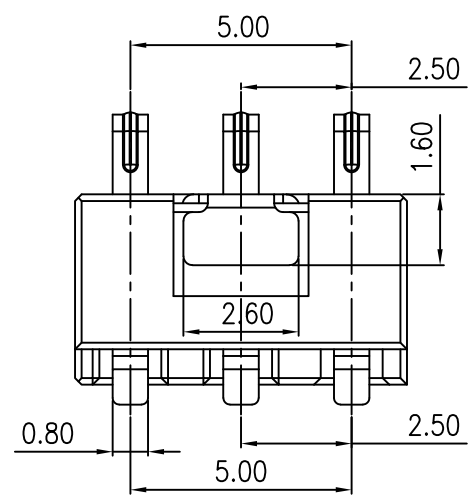
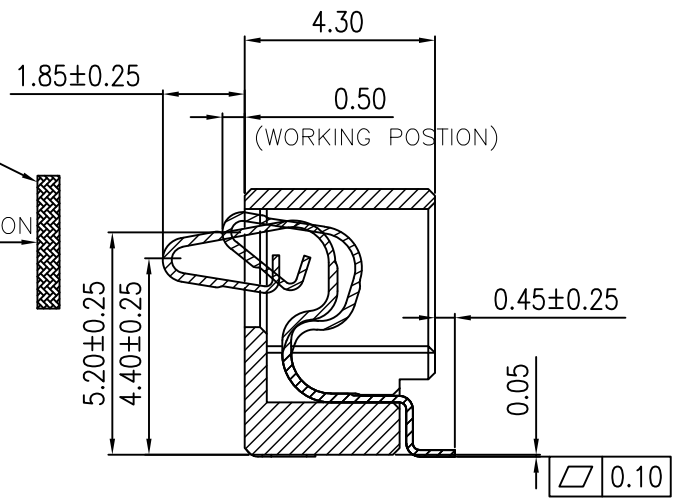
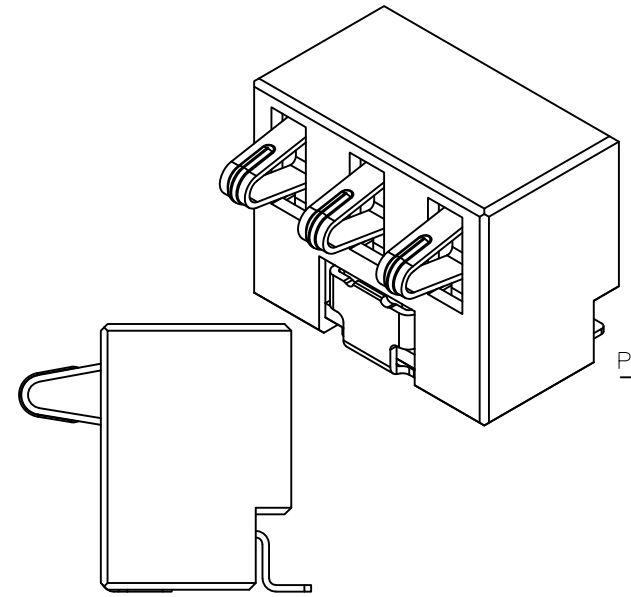
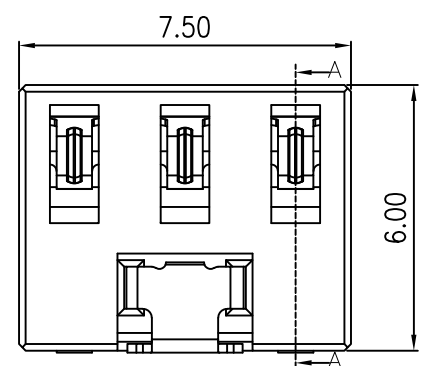




REV	EC No.	DESCRIPTION	Symbol	DATE
A	/	new release	/	Dec. 12, 2020



NOTE:

CURRENT RATING: 2.0A
 RATING VOLTAGE: 12V
 WITHSTANDING VOLTAGE: 500V
 CONTACT RESISTANCE: 30mΩ
 INSULATION RESISTANCE: 500MΩ
 WORKING TEMPERATURE: -40°C ~ +85°C
 HOUSING MATERIAL: LCP
 CONTACT: COPPER ALLOY, Au PLATED
 PACKAGE: TAPE REEL, 800PCS/REEL, 12000PCS/CARTON

For more information, please help to contact: connmold@foxmail.com Tel.:18922965797			
WWW.connmold.COM		<h1>ConnMold</h1>	
DIMENSION UNITS	TOLERANCE		
MM	X±0.50 .XX±0.25 .X±0.35 .XXX±0.15	PART NAME BATTERY 3 PIN	
DRWN:Robert	Dec.12,2020	PART NUMBER	
CHK'D:Yuri	Dec.12,2020	CMD CZ661001	
APPR:Linda	Dec.12,2020	REVISION	
THIRD ANGLE PROJECTION		CUSTOMER	
		GENERAL MARKET	
CUSTOMER P/N		SHEET NUMBER	
/		1 OF 2	