

6

5

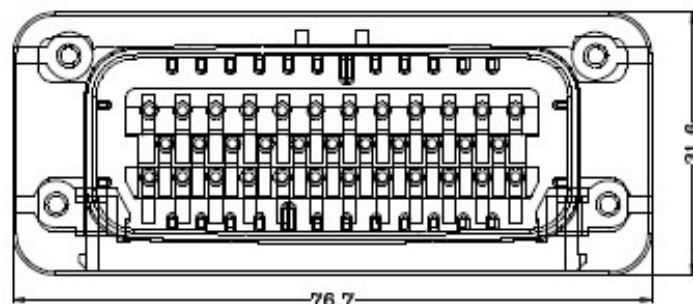
4

3

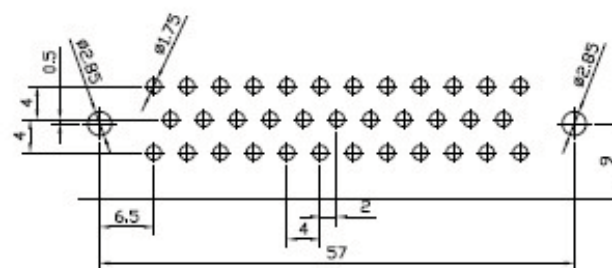
2

1

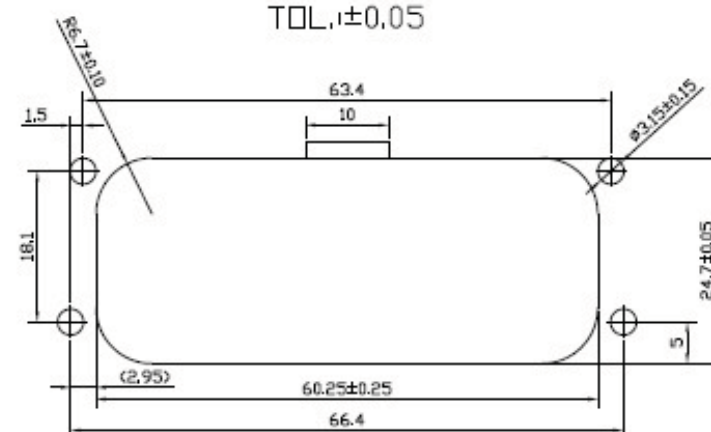
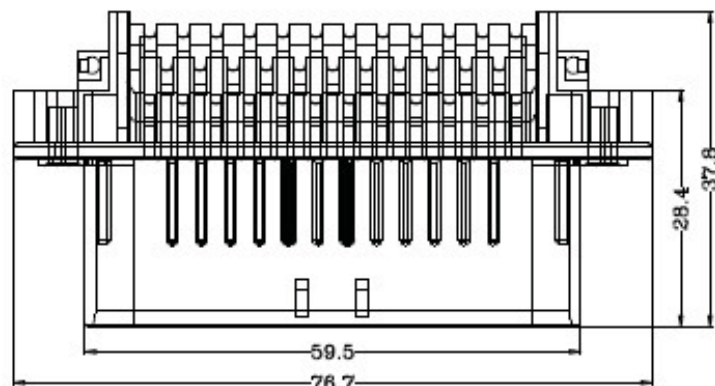
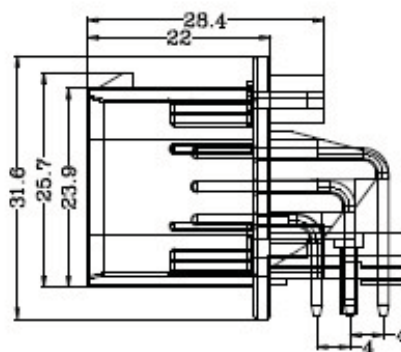
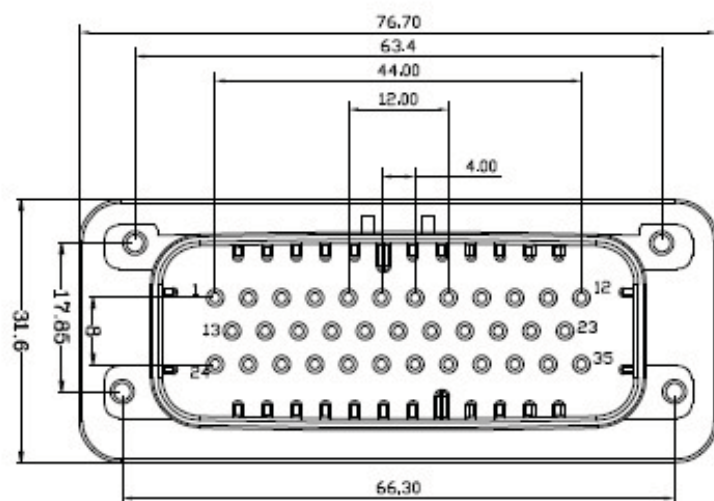
REV	EC No.	DESCRIPTION	Symbol	DATE
A	/	new release	/	Feb 27, 2023



- 1.SUGGESTED MOUNTING SCREW:  $\phi 2.50\sim 3.00\text{MM}$  SELF TAPPING THREAD FORMING SCREW;
- 2.HOUSING:THERMOPLASTICS, BLACK
- 3.PINS:BRASS, PLATED TIN
- 4.GASKET:BLACK



RECOMMENDED PCB LAYOUT

TOL, $\pm 0.05$ RECOMMENDED MOUNTING HOLE  
5.00 MAX THICKNESS PANELTOL, $\pm 0.05$ 

尺寸範圍	0~5	5~20	20~45	45~70	70~100	100~250	$\geq 250$	角度
公差	$\pm 0.15$	$\pm 0.2$	$\pm 0.3$	$\pm 0.4$	$\pm 0.5$	$\pm 0.7$	$\pm 1.5$	$\pm 2^\circ$

For more information, please feel free to contact Neal. His email is :connmold@foxmail.com Tel:18922965797

WWW.CONNMOLD.COM

DIMENSION UNITS

MM

TOLERANCE

X $\pm 1.00$  .XX $\pm 0.35$ .X $\pm 0.50$  .XXX $\pm 0.25$ 

ConnMold

PART NAME 35PIN CONNECTOR TIN PLATED

DRWN:Robert

Feb. 27, 2023

CHK'D:Yuri

Feb. 27, 2023

APPR:Lee

Feb. 27, 2023

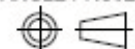
PART NUMBER

CMRFA661012A

REVISION

A

THIRD ANGLE PROJECTION



CUSTOMER P/N

/

CUSTOMER

GENERAL MARKET

SHEET NUMBER

1 OF 1

6

5

4

3

2

1