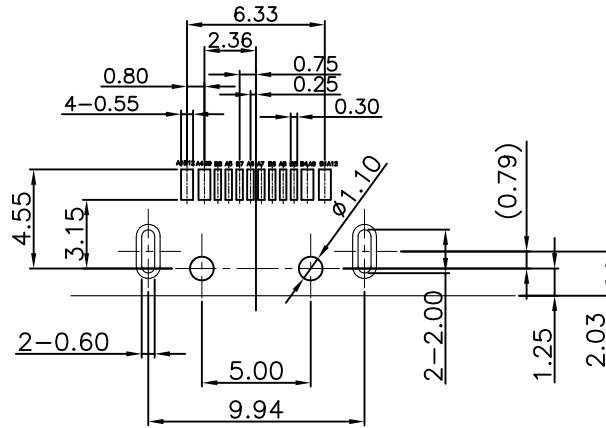
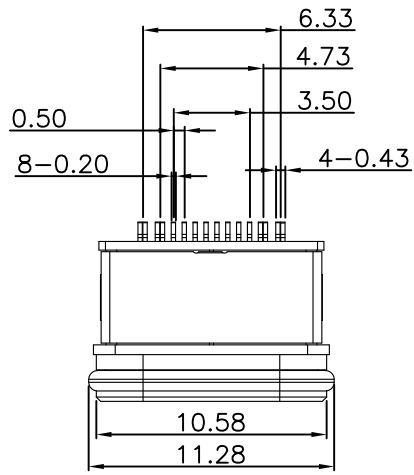


REV	EC No.	DESCRIPTION	Symbol	DATE
A	/	new release	/	Mar. 12, 2018

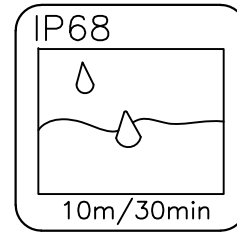
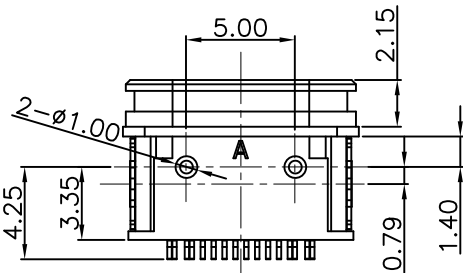
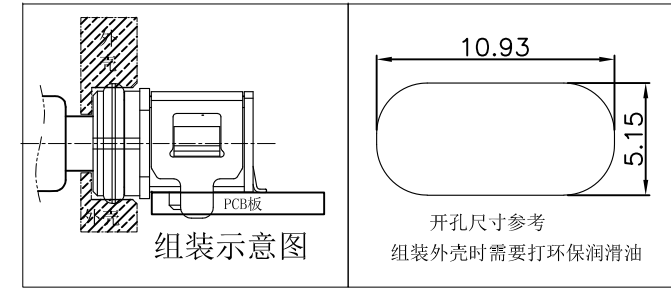
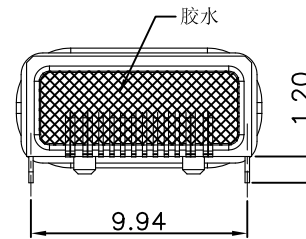
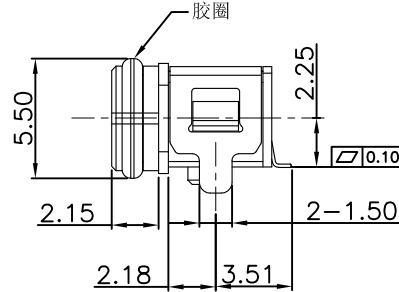
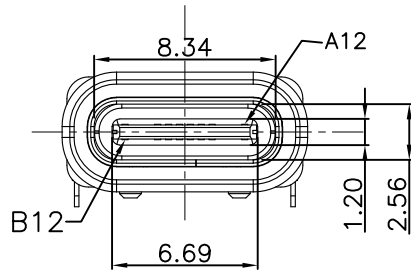


SPECIFICATION:

1. CURRENT RATING: 3.0A MAX
2. DIELECTRIC WITHSTAND VOLTAGE: 100VAC
3. TEMPERATURE RANGE: -30 °C ~ 85 °C
4. CONTACT RESISTANCE: 40 MILLIONHM MAX
5. INSULATION RESISTANCE: 100 MEGOHMS MIN.
6. INSERTION FORCE : 5N~20N
7. UNMATING FORCE: 8N~20N
8. DURABILITY:10,000 CYCLES
9. WATER PROOFNESS:THIS PRODUCT IS BASED ON IPX8.

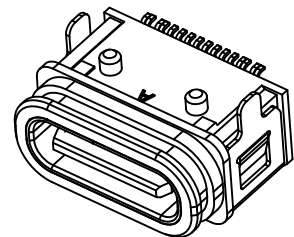


Recommended P.C.B. Layout  
Unspecified tolerance: ±0.05  
(Top view)



5	Shell2	1	SUS301 Ni Plating T=0.20mm	Ni: 40u~Min;
4	Shell1	1	SUS301 Ni Plating T=0.25mm	Ni: 40u~Min;
3	Housing2	1	PA10T(G.F30%)	
2	Contact	16	Phosphor bronze C5210R-EH Au/Ni Plating T=0.20mm	Ni: 40u~Min; Au: CONTACT AREA OTHER AREA: G/F
1	Housing	1	PA10T (G.F30%)	
ITEM	PART NAME	Q'TY	FINISH	NOTE

A1	GND	B12	GND
A4	VBUS	B9	VBUS
A5	CC1	B8	SBU2
A6	DP1	B7	DN2
A7	DN1	B6	DP2
A8	SBU1	B5	CC2
A9	VBUS	B4	VBUS
A12	GND	B1	GND
PIN	SIGNAL NAME	PIN	SIGNAL NAME



For more information, please feel free to contact Neal. His email is :connmold@foxmail.com Tel:18922965797

WWW.connmold.COM		<h1>ConnMold</h1>	
DIMENSION UNITS	TOLERANCE		
MM	X±0.50 .XX±0.25 .X±0.35 .XXX±0.15	PART NAME	USB TYPE C 16PIN TOP MOUNT WATERPROOF IP68
DRWN:Robert	Mar. 12, 2018	PART NUMBER	CMWUC661026
CHK'D:Yuri	Mar. 12, 2018	REVISION	A
APPR:Lee	Mar. 12, 2018	CUSTOMER	GENERAL MARKET
THIRD ANGLE PROJECTION	CUSTOMER P/N	SHEET NUMBER	1 OF 1
	/		